

Patents, Designs, and Trade Marks

SUPPLEMENT

TO THE

NEW ZEALAND GAZETTE

OF

FRIDAY, DECEMBER 1, 1911.

Published by Authority.

WELLINGTON, FRIDAY, DECEMBER 1, 1911.

CONTENTS.

	Page
International and Intercolonial Arrangements for the Mutual Protection of Patents and Trade Marks ..	3615
Notice <i>re</i> Flax Bonus	3616
Notice <i>re</i> Holidays	3616
Applications for Letters Patent filed	3616
Complete Specifications filed after Provisionals ..	3617
Complete Specifications accepted	3617
Provisional Specifications accepted	3620
Letters Patent sealed	3621
Letters Patent on which Fees have been paid ..	3621
Subsequent Proprietors of Letters Patent registered	3621
Applications for Letters Patent abandoned ..	3621
Applications for Letters Patent void	3621
Applications for Letters Patent lapsed	3621
Letters Patent void	3621
Design expired	3621
Applications for Trade Marks filed	3622
Applications for Registration of Trade Marks ..	3622
Trade Marks registered	3628
Trade Mark Renewal Fees paid	3628
Subsequent Proprietors of Trade Marks registered ..	3628
Trade Marks removed from the Register	3628
Application for Trade Mark opposed	3628
Quarterly List of Inventors*	3628
Quarterly List of Inventions*	3635
Quarterly List of Applicants for Trade Marks* ..	3643
Quarterly List of Applicants for Designs*	3646

International and Intercolonial Arrangements for the Mutual Protection of Patents and Trade Marks.

INTERNATIONAL CONVENTION.

THE following countries now belong to the Convention :—

Australia.	Hungary.
Austria.	Italy.
Belgium.	Japan.
Brazil.	Mexico.
Ceylon.	New Zealand.
Cuba.	Norway.
Denmark and Faroe Islands.	Portugal, with the Azores and Madeira.
Dominican Republic.	Servia.
France, with Algeria and colonies.	Spain.
Germany.	Sweden.
Great Britain.	Switzerland.
Holland, with East Indian colonies, Curaçoa, and Surinam.*	Trinidad and Tobago.
	Tunis.
	United States of America.

* Trade marks only.

Separate arrangements have been made between Australia and New Zealand.

Particulars of the Convention and of such arrangements may be seen in the following *Gazettes* :—

Notification of adhesion of New Zealand to the Convention, with text thereof (in English), in the *Gazette* of 26th November, 1891; notification of adherence of New Zealand to the Additional Act of the Convention, in Patents Supplement to *Gazette* No. 101, of the 16th November, 1905; Order in Council applying section 103 of the Imperial Act to New Zealand, in *Gazette* No. 27, of the 15th May, 1890; Orders in Council containing arrangements between Australia and New Zealand, in Patent Supplements to the *Gazette* Nos. 22, of the 9th March, 1905, and 38, of the 20th April, 1905.

* Alphabetical lists for the preceding quarters of the year 1911 appear in the following *Gazettes*: No. 37, of the 4th May, 1911, and No. 79, of the 5th October, 1911.

Bonus for Improvements in connection with the Preparation and Utilization of New Zealand Hemp (*Phormium tenax*).—Notice No. 1538.

Department of Agriculture, Commerce, and Tourists,
Wellington, 10th October, 1911.

WITH reference to the offer of the New Zealand Government to pay a bonus of £12,000 for improvements in connection with the preparation and utilization of New Zealand hemp, the following notice by the New Zealand Flax-millers' Association conveying the terms of the offer is published for general information.

THOS. MACKENZIE,
Minister of Agriculture and of Industries
and Commerce.

NOTICE TO INVENTORS, CHEMISTS, AND SCIENTISTS.

Bonus of £12,000 (nearly \$60,000) offered.

THE New Zealand Government has agreed to pay £12,000 as a bonus or bonuses for improvements in connection with—

- (1.) The extraction and dressing of fibre from the New Zealand hemp-plant (*Phormium tenax*); or
 - (2.) The utilization of the by-products obtained during the processes of extracting the fibre,—
- on condition that the machine or process in regard to which the whole or any part of the bonus is to be paid shall be recommended by the New Zealand Flax-millers' Association, and approved by the Government.

The association is accordingly prepared to receive applications for the bonus until 30th November, 1913.

A leaflet giving further particulars can be obtained by writing to or calling upon any of the following:—

The High Commissioner for New Zealand, 13 Victoria Street, London S.W.

The Department of Agriculture, Washington, U.S.A.

The Department of Agriculture, Ottawa, Canada.

The Secretary, N.Z. Flax-millers' Association, Palmerston North, New Zealand.

The District Agent of the Department of Agriculture, Commerce, and Tourists at Auckland, Napier, Wanganui, Wellington, Christchurch, Dunedin, or Invercargill, New Zealand.

LOUIS SEIFERT,
President of the N.Z. Flax-millers'
Association.

Palmerston North, New Zealand.

Christmas and New Year Holidays.

Office of the Minister of Internal Affairs,
Wellington, 23rd November, 1911.

IT is hereby notified for general information that Monday, the 25th December, Tuesday, the 26th December, and Wednesday, the 27th December, 1911, and Monday, the 1st January, and Tuesday, the 2nd January, 1912, will be observed as holidays in the public offices of the Government of New Zealand.

HUGH POLLEN,
Under-Secretary.

Applications for Letters Patent filed.

LIST of applications for Letters Patent filed. (Where a complete specification accompanies an application an asterisk is affixed; in all other cases a provisional specification has been lodged. In all cases where the applicant is not the inventor the name of the latter appears in italics in brackets. † Denotes an application under the International and Intercolonial Arrangements.)

Whittle, F. J. C., Murwillumbah, N.S.W.	Attaching skirt to blouse; 30481; 9th November.
Mygatt, O. A., New York, U.S.A.	Glassware*; 30482; 10th November.
Wolsley Sheep Shearing Machine Company, Limited, Aston, Eng.	Electric-motor-starter controller, &c.*; 30483; 10th November.
Brewerton, A. E., Brondesbury, Eng.	Electric-motor-starter controller, &c.*; 30483; 10th November.
Crabb, H. A., London, Eng.	Billiard, &c., cue*; 30484; 23rd November, 1910.†
Hutchinson, C. H., London, Eng.	Billiard, &c., cue*; 30484; 23rd November, 1910.†
Perl, A. H. F., London, Eng.	Billiard, &c., cue*; 30484; 23rd November, 1910.†
Cummings, A. J., Kyabram, Vic.	Tailors'-chalk holder, &c.; 30485; 8th November.
Laing, A., Newcastle-on-Tyne, Eng.	Liquid-fuel furnace*; 30486; 7th November.
Automatic Electric Company, Chicago, U.S.A. (<i>Keith, A. E.</i>)	Telephone-system*; 30487; 7th November.
Logan, W. S., Dunedin, N.Z.	Mirror and stand*; 30488; 10th November.
Anderson, C. W., Christchurch, N.Z.	Massage apparatus*; 30489; 11th November.
Huebner-Bleistein Patents Company, Buffalo, U.S.A. (<i>Huebner, W. C.</i>)	Photographic-printing machine*; 30490; 11th November.
Burgess, J., Beckenham, Eng.	Pail, bath, &c., attachment*; 30491; 3rd January.†
Gibbs, G., Motueka, N.Z.	Beer, &c., cooler; 30492; 11th November.
Copeman Electric Stove Company, Flint, U.S.A.	Electric stove*; 30493; 10th November.
Giraud, V. F., Palmerston North, N.Z.	Flax-dresser; 30494; 11th November.
Herring, F., Palmerston North, N.Z.	Flax-dresser; 30494; 11th November.
Ormrod, J. H., Wellington, N.Z.	Electric-shade carrier; 30495; 14th November.
Purdue, W. J., Kaiwarra, N.Z.	Electric-shade carrier; 30495; 14th November.
Wielandt, J., Auckland, N.Z.	Advertising-apparatus; 30496; 11th November.
Thompson, F. C., Auckland, N.Z.	Advertising apparatus; 30496; 11th November.
Merrill, A. P., Malsem, Vic. (<i>Pneumatic Company</i>)	Vacuum sweeper; 30497; 15th November.
Aston, W. I., Upper Riccarton, N.Z.	Cycle foot-rest; 30498; 15th November.
Metcalf, H., Auckland, N.Z.	Wire-strainer; 30499; 15th November.
Ireland, H. E., Wahgunyah, Vic.	Wire-strainer; 30500; 8th December, 1910.†
Kuschert, F. C. W., Wahgunyah, Vic.	Wire-strainer; 30500; 8th December, 1910.†
Hoskings, G. J., Sydney, N.S.W.	Metal-mould ladle*; 30501; 16th November.
Hind, A., Sydney, N.S.W.	Machine-sheepshear hand-piece; 30502; 16th November.
Henderson, W., Norseman, W. Aust.	Mine-dust allaver; 30503; 16th November.
Bell, F. L., Norseman, W. Aust.	Mine-dust allaver; 30503; 16th November.
Clifford, W. T., Randwick, N.S.W.	Garment; 30504; 16th November.
Mansfield, B., Wellington, N.Z.	Target; 30505; 16th November.
Barnard, C. C. E., Wellington, N.Z.	Target; 30505; 16th November.
Thompson, A. W., Mangaroa, N.Z.	Acetylene-generator; 30506; 17th November.
Barnes, F. S., Seddon, N.Z.	Swingletree; 30507; 15th November.
Smith, W. P., Lyttelton, N.Z.	Hatpin; 30508; 17th November.
Clearwater, A. F., Christchurch, N.Z.	Drawing-instrument; 30509; 17th November.
Park, R., Hairini, N.Z.	Hand-saw*; 30510; 18th November.
Bedell, W. H., Wellington, N.Z.	Sound, &c., producing; 30511; 18th November.
Bedell, F. E., Wellington, N.Z.	Sound, &c., producing; 30511; 18th November.
Bedell, W. H., Wellington, N.Z.	Figure-displaying apparatus; 30512; 18th November.
Bedell, F. E., Wellington, N.Z.	Figure-displaying apparatus; 30512; 18th November.
Griffiths, A. J., Khandallah, N.Z.	Water-heater; 30513; 18th November.
Alfred, A. R. E., Wellington, N.Z.	Water-heater; 30513; 18th November.
Mahoney, J., Wellington, N.Z.	Roof-spouting die; 30514; 18th November.
Mahoney, J., Wellington, N.Z.	Downpipe tool; 30515; 18th November.
Mahoney, J., Wellington, N.Z.	Spouting, &c., machine; 30516; 18th November.
Kelly, J., Invercargill, N.Z.	Concrete-construction; 30517; 17th November.
Firth, T., Wellington, N.Z.	Candlestick*; 30518; 20th November.
Davy, C. F., Fitzroy, N.Z.	Non-refillable bottle; 30519; 20th November.

Richardson, T., Fitzroy, N.Z.	Non-refillable bottle; 30519; 20th November.
Carter, W. H., Wellington, N.Z.	Pastel, &c., drawings fixing; 30520; 20th November.
Norton, J. T., Lyttelton, N.Z.	Yeast food, &c.*; 30521; 21st November.
Sadler, S., Maranui, N.Z.	Milking-machine pulsator; 30522; 21st November.
Cunningham, P. E., Chidlow Wells, W. Aust.	Spark-arrester; 30523; 22nd November.
Reid, R. H. P., Chidlow Wells, W. Aust.	Spark-arrester; 30523; 22nd November.
Dossor, F. M., Wheatly, Eng.	Seed-cleaner*; 30524; 22nd November.
Thomson, R., Pollokshields, Scot.	Ferro-concrete column, &c.*; 30525; 22nd November.
Thomson, W. A., Pollokshields, Scot.	Ferro-concrete column, &c.*; 30525; 22nd November.
Thomson, R., Pollokshields, Scot.	Ferro-concrete floor*; 30526; 22nd November.
Thomson, W. A., Pollokshields, Scot.	Ferro-concrete floor*; 30526; 22nd November.
Barr, M., London, Eng.	Calculating-machine*; 30527; 22nd November.
Bell, R. A., Wimbledon, Eng.	Calculating-machine*; 30527; 22nd November.
Beeton, H. R., Hampstead, Eng.	Calculating-machine*; 30527; 22nd November.
Turbo Amalgamator and Extraction Company, Limited, London, Eng. (Lockwood, A. A.)	Metal-extraction from pulp*; 30528; 22nd November.
Meyer, W., Berlin-Wilmersdorf, Ger.	Detonating-compound*; 30529; 22nd November.
Edgar, H., Karangahake, N.Z.	Rock-drill*; 30530; 22nd November.
Searle, H. S., Invercargill, N.Z.	Kerosene-tin piercer, &c.; 30531; 22nd November.
Barrett, G., Alfriston, N.Z.	Broomhead and scraper*; 30532; 22nd November.
Williams, S., San Francisco, U.S.A.	Ore-separation*; 30533; 22nd November.
McCormick, H. S., Berkeley, U.S.A.	Explosive-engine heater-attachment*; 30534; 22nd November.
Fitzharris, M. J., Morven, N.Z.	Potato-digger; 30535; 22nd November.
Harrison, H., St. Albans, N.Z.	Slate-pencil pointer, &c.; 30536; 22nd November.
Anderson, J., Tayport, North Britain	Windmill, &c., sail feathering*; 30537; 18th March.†
Barnes, J. C., London, Eng.	Fan and blower; 30538; 23rd November.
McCarthy, C. R., Hillend, N.Z.	Hatpin; 30539; 21st November.
Crehan, P., Limehills, N.Z.	Hatpin; 30539; 21st November.
Graham, S., Wendon, N.Z.	Vehicle-spring-pressure equalizer; 30540; 23rd November.
Graham, W. T., Wendon, N.Z.	Vehicle-spring-pressure equalizer; 30540; 23rd November.
Griffin, R., Carlton, Vic.	Self-cleaning skip, &c.; 30541; 22nd November.
Shoobridge, W. E., Bushy Park, Tas.	Hops, &c., dryer*; 30542; 21st November.
Pike, C. D., Wellington, N.Z.	Kneeling-pad; 30543; 24th November.
Anderson, J. C., Dunedin, N.Z.	Petrol-gas apparatus*; 30544; 22nd November.
Escott, W., Dunedin, N.Z.	Petrol-gas apparatus*; 30544; 22nd November.
Williden, H. P., Dunedin, N.Z.	Petrol-gas apparatus*; 30544; 22nd November.
Ross, H. I. M., Dunedin, N.Z.	Skylight-frame; 30545; 22nd November.
Tait, J., Dunedin, N.Z.	Water-circulator; 30546; 21st November.
Wright, A. H., Auckland, N.Z.	Stamp-recording machine*; 30547; 21st November, 1910.†

Complete Specifications filed after Provisionals.

LIST of complete specifications filed after provisional specifications from the 10th to the 23rd November, 1911, inclusive:—

- No. 29032.—R. C. Porter, valve seat and casing.
- No. 29036.—S. B. Forscutt, target.
- No. 29076.—United Shoe Machinery Company, boot-operating machine. (J. B. Hadaway and A. L. Russell.)
- No. 29127.—H. M. Keesing, grate.
- No. 29155.—C. E. Player, refrigerating-screen.
- No. 25173.—C. S. McFarlane, gas-production.
- No. 29176.—E. D. Berry, pasteurizer.
- No. 29195.—W. C. Sharpe and W. C. Sharpe, jun., air-gas production.
- No. 29199.—United Shoe Machinery Company, boot and shoe machine. (R. McFeely.)
- No. 29203.—United Shoe Machinery Company, boot-part-assembling machine. (O. Ashton)
- No. 29235.—W. C. Joel, flash-gas sign.
- No. 29304.—H. H. Hewitt, mineral water manufacture.
- No. 29641.—H. Chapman, milk-releaser.
- No. 29799.—E. L. Wright, roofing-tile.
- No. 29877.—S. Burrows, gout, rheumatism cure.
- No. 29878.—J. S. Wearn, tramcar-destination board.
- No. 30026.—J. R. Jones, meat-rail tumbler-switch.
- No. 30098.—J. R. Jones, wool-washer.

Notice of Acceptance of Complete Specifications.

Patent Office,
Wellington, 29th November, 1911.

COMPLETE specifications relating to the un-dermentioned applications for Letters Patent have been accepted, and are open to public inspection at this office. Any person may, at any time within two months from the date of this *Gazette*, give me notice in writing of opposition to the grant of any such patent. Such notice must set forth the particular grounds of objection, and be in duplicate. A fee of 10s. is payable thereon.

The copies of claims and extracts from the specifications and drawings are merely intended to give some further indication of the invention than is disclosed in the title, and the complete specifications and drawings should be referred to for a description of the invention.

No. 28762.—23rd November, 1910.—CARL NEFF, of 19 Georgstrasse, Hanover, Germany, Banker, and AUGUST BRANDES, of 8 Hildesheimerstrasse, in the same city, Mechanic. Improvements in and relating to the treatment of liquids.*

Claim.—A process of treating hard water consisting in causing the same rapidly to travel in frictional contact with an extensive uncompact bare surface of aluminium from which the oxide coating has been removed, whereby the fine particles of aluminium or aluminium-hydrate are separated from the plate and are continuously carried away by the water, substantially as described. (Specification, 3s. 6d.)

No. 28774.—24th November, 1910.—UNITED SHOE MACHINERY COMPANY, of Paterson, in the State of New Jersey, United States of America, a corporation duly organized under the laws of said State of New Jersey, carrying on business as Shoe-machinery Manufacturers, and having a place of business at 205 Lincoln Street, Boston, in the Commonwealth of Massachusetts, in said United States of America (assignees of Benjamin Franklin Mayo, of Salem, Essex, Commonwealth of Massachusetts aforesaid, inventor, and Euclid Israel La Chapelle, of Beverly, Essex aforesaid, inventor). Improvements in or relating to grippers.*

Claims.—(1) In a gripper's mechanism, means for gripping a shoe-upper, and means for gripping a shoe-lining, said mechanism being constructed and arranged to cause the upper to be gripped with greater force than the lining is gripped.

(5) In a gripper's mechanism, a rigid jaw, movable jaws upon opposite sides of the rigid jaw, means for yieldingly actuating one movable jaw toward the fixed jaw, and means acting in a relatively unyielding manner to press the other movable jaw against the fixed jaw. . . . (10) In a gripper's mechanism, means for separately gripping two superposed portions of stock and pulling the stock, comprising a plurality of gripping-members, one of which is arranged to move relatively to another in the direction of the pulling-strain while the stock is under tension. (Specification, 16s.)

[NOTE.—Here follow thirteen other claims.]

No. 28856.—7th December, 1910.—HARRY GORDELIEE KETTLE, of Dunedin, New Zealand, Machinery Agent. Improvements relating to the milk-pipes of milking-machines.*

Claims.—(1) Improvements relating to the milk-pipes of milking-machines, comprising means operated by the falling of the teat-cups and connector when they drop or are knocked off the teats for preventing loss of vacuum on such falling, substantially as described. (2) Improvements relating to

the milk-pipes of milking-machines, comprising a valve at the end of the milk-pipe where it joins the metal connector, operated by a lever to which an adjustable cord is attached, said cord being attached to an overhead pipe, substantially as and for the purpose set forth. (Specification, 2s. 3d.)

No. 28919.—23rd December, 1910.—JAMES GILMOUR, of 110 Peel Street, Gisborne, New Zealand. Coupling for repairing leaky water-mains.

Claim.—A coupling consisting of two segments of a metal ring, with grooves to enable lead joints to be readily made on each side of a leak in a water-main without reducing the pressure. (Specification, 1s. 3d.)

No. 28990.—13th January, 1911.—WILLIAM STEWART LIND, of Wanganui, New Zealand, Drover. Improved means for attaching traces to the hames of horse-collars.*

Claim.—Means for attaching traces to the hames of horse-collars, consisting of a plate upon the hame having a peg projecting outwards from the face thereof, and two keepers on the plate arranged one in front of and one to the rear of the peg, in combination with a trace adapted to pass through the keepers and formed with holes therein adapted to fit over the peg, substantially as specified. (Specification, 2s.)

No. 29061.—27th January, 1911.—GEORGE WILLIAM HUTCHINSON, of Walton, Waikato, Auckland, New Zealand, Farmer. Improvements in internal-combustion engines.*

Claims.—(1.) In an internal-combustion engine, a main piston having a recess fitted with a spring-operated compression-piston, as set forth. (2.) In an internal-combustion engine, a main piston having a recess, a compression-piston fitting the recess and guided and controlled by rods passing through the head of the main piston, and a spring in compression between the pistons, as set forth. (Specification, 3s. 3d.)

[NOTE.—Here follow five other claims.]

No. 29075.—1st February, 1911.—UNITED SHOE MACHINERY COMPANY, of Paterson, in the State of New Jersey, United States of America, a corporation duly organized under the laws of said State of New Jersey, carrying on business as Shoe-machinery Manufacturers, and having a place of business at 205 Lincoln Street, Boston, in the Commonwealth of Massachusetts, in said United States of America (assignees of William Amber Reed, of Chelsea, Suffolk, Massachusetts aforesaid, Draughtsman, and James Foley, of Revere, Suffolk aforesaid, Machinist). Improvements in or relating to grinding, polishing, or like machines.*

Claims.—(1.) A machine of the class described having, in combination, a shaft, an operating member mounted thereon, means for rotating said shaft, means for reciprocating said shaft, said last-named means including a resilient member for taking up lost motion, and a ball in line with the axis of said shaft and arranged to receive the thrust of the reciprocating-means. (8.) A roll for an abrading-machine, comprising a body-portion provided with a bore to receive a shaft, a plurality of hooks for holding an abrasive cover on said roll, a member carried by said roll and movable with respect to its periphery, and means for detachably connecting said hooks with said member. (Specification, £1.)

[NOTE.—Here follow eleven other claims.]

No. 29168.—24th February, 1911.—GEORGE WILLIAM HUTCHINSON, of Walton, Waikato, Auckland, New Zealand, Farmer. Improved sparking-regulator for internal-combustion engines.*

Claims.—(1.) A sparking-regulator of the type described, comprising a governor connected to and adapted to rotate a commutator. (2.) A sparking-regulator of the type described, comprising a governor operating a sliding rod, which has a rack engaging a toothed wheel fixed to a commutator. (3.) In a governor of the type described, a hollow sleeve containing a spiral spring in compression between an adjustable rod and a rod connected to and operating a commutator. (Specification, 3s. 6d.)

[NOTE.—Here follow three other claims.]

No. 29427.—25th April, 1911.—DAVID HENRY ARMSTRONG, of Meremere, Hawera, New Zealand, Farm Labourer. Means for automatically receiving and delivering milk from the vacuum pipes of milking-machines.*

Claim.—(1.) Apparatus of the kind described, comprising a can divided into two superposed compartments by a partition, a counter-balanced valve seated in an opening in the partition, milk and vacuum pipes entering the top of the can, a float-valve slidable on a rod connected to a lever, a slide-valve operable by the lever, a pipe connected to the lower compartment and adapted to be opened by the valve to the upper compartment or to the atmosphere, and an outlet-valve at the bottom of the lower compartment, as set forth. (Specification, 3s. 6d.)

[NOTE.—Here follow three other claims.]

No. 29433.—25th April, 1911.—ALBERT JOHN HAINSWORTH, of 60 Mortimer Terrace, Wellington, New Zealand, Electrical Engineer. Improved apparatus for heating water.*

Extract from Specification.—The present invention provides for the employment of an electrical heating-unit, comprising a non-conducting cylindrical core made of burnt fireclay, around which the electrical wire is wound. (Specification, 3s.)

[NOTE.—The above extract from the specification is inserted in place of the claims.]

No. 29974.—19th October, 1910.†—GEORGE ROWLAND EDMONDS, of "Luton," Joseph Street, Ashfield, near Sydney, New South Wales, Australia, Engineer. Improved educational appliance.

Claim.—(1.) The improved educational appliance consisting of a number of narrow plates of sheet metal, papier mache, or other suitable material, each pivoted at one end on a common axis and maintained separate by washers or the like, said plates bearing letters of the alphabet, devices, or other informative matter on one or both faces, and to be capable of manipulation to form simple words, substantially as described and as illustrated. (Specification, 3s. 9d.)

[NOTE.—Here follows one other claim.]

No. 30024.—18th August, 1910.†—JOHN ANDERSON, of Craiglea, Tayport, Fifeshire, North Britain, Gentleman. Improvements in feathering wind-sails or propellers applicable for windmills, airships, and other purposes.

Claim.—(1.) In a wind-motor or aerial propeller in which sails, vanes, or paddles arranged in a circular series about a wheel-like frame are geared so as to be revolved backwards about their individual spindles while being carried forward by the revolution of the frame, the arrangement of additional mechanisms each of which is operative upon a respective sail, vane, or paddle, in such a manner as to increase its backward motion about its spindle on the driving-side of the wheel, and to reduce such backward motion upon the non-driving or return side of the wheel, substantially as described. (Specification, 11s. 3d.)

[NOTE.—Here follow four other claims.]

No. 30104.—24th August, 1911.—CATHERINE SMELTH MUNRO, of Wharekuri, Kurow, New Zealand, Gentlewoman. Improved napkin-warmer and hot-water bag.

Claim.—(1.) In hot-water bags, in combination with them, a pocket or outer bag for keeping articles hot, all substantially as shown on the drawing, and as described and explained. (Specification, 1s.)

[NOTE.—Here follows one other claim.]

No. 30116.—30th August, 1911.—WILLIAM CLAUDE NOAKES, of Colombo Street, Christchurch, New Zealand, Motor Engineer. Improved means for unloading coal and other loose material from the holds of ships.

Extract from Specification.—I employ an endless chain of elevator-buckets passing over sided tumblers, one at the bottom of the hold and the other above the deck, in such position that coal is delivered by the buckets over the side of the vessel into a chute or other means for conducting it where required. A feature of the invention consists in a series of slides or doors which cover an opening in the elevator-casing, and which may be removed one after the other as the unloading proceeds, so that the material may fall into and be readily shovelled into the buckets. (Specification, 3s.)

[NOTE.—The above extract from the specification is inserted in place of the claims.]

No. 30217.—14th September, 1911.—HERMANN PAPE, of Billwarder, Hamburg, Germany, Engineer. A new or improved process for the desulphurization of zinc.

Claims.—(1.) A process for the desulphurization of sulphate of zinc by roasting wherein oxide of zinc is mixed with the zinc-sulphate before roasting. (2.) A process for the desulphurization of sulphate of zinc by roasting wherein oxide of zinc in a finely pulverized state is mixed with the sulphate of zinc before roasting. (3.) A process for the desulphurization of zinc by roasting wherein a paste is made of finely pulverized zinc-oxide and a concentrated solution of sulphate of zinc, which is dried, after which pieces of the dried compound are placed in a calcining-apparatus. (Specification, 2s.)

No. 30238.—19th SEPTEMBER, 1911.—EARDLEY CULLEY REYNOLDS, of Dunedin, New Zealand, Auctioneer. A time-limit lock.*

Claim.—(1.) A time-limit lock for the doors of bath-rooms and the like, comprising means which on the door being closed automatically lock it, and means which on the expiry of a predetermined period of time from the instant of locking it automatically unlock it, substantially as described. (Specification, 11s. 6d.)

[NOTE.—Here follow six other claims.]

No. 30242.—26th November, 1910.†—WILLIAM ALFRED PHILLIPS, of "Brambledown," Crouch Hill, Electrical Engineer, and JOHN GEORGE BULTEEL, of 31 Threadneedle Street, Stockbroker, both of London, England. Method of obtaining oxides of nitrogen.

Claim.—(1.) A process for producing oxides of nitrogen with aid of a flame of combustible gas or vapour, characterized by the fact that the substantially completely oxidized flame, or portion of the flame, is spread over a surface and air, or a mixture of oxygen and nitrogen is caused to travel over this spread-out flame, at a speed higher than that of the hot gases constituting the flame. (Specification, 3s. 3d.)

[NOTE.—Here follows one other claim.]

No. 30243.—20th February, 1911.†—WILLIAM ALFRED PHILLIPS, of "Brambledown," Crouch Hill, Electrical Engineer, and JOHN GEORGE BULTEEL, of 31 Threadneedle Street, Stockbroker, both of London, England. A method of, and apparatus for, obtaining oxides of nitrogen or ozone, or products formed by the action of these gases on other bodies.

Claim.—(1.) The mode of carrying out the process described in specification No. 30242, which consists in causing the flame of burning gas or vapour to impinge upon a mass of pieces of refractory material through which air, or a mixture of oxygen and nitrogen, is caused to travel simultaneously.

(Specification, 3s. 3d.)

[NOTE.—Here follow two other claims.]

No. 30256.—26th September, 1911.—EDWIN PHILLIPS, of 264–268 Flinders Street, Melbourne, Victoria, Australia, Patent Attorney and Engineer (nominee of the Gesellschaft für Drahtlose Telegraphie m.b.H., of Tempelhofer Ufer 9, Berlin, Germany, Manufacturers, the assignees of Ragnar Hakan Rendahl, of Lilienholm, near Stockholm, Sweden, Engineer). Improvements relating to electric oscillation circuits and their connections.

Claim.—(1.) An arrangement for connecting an electric oscillation circuit with an apparatus substantially consisting of an ohmic resistance, in which arrangement the coupling of the apparatus with the oscillation circuit is effected by means of a transformer which is practically free from dispersion, so that an alteration in the coupling and transmission of energy to the apparatus has, as a consequence, no practically appreciable alteration of the periodicity of the oscillation circuit.

(Specification, 6s. 6d.)

[NOTE.—Here follow three other claims.]

No. 30257.—26th September, 1911.—EDWIN PHILLIPS, of 264–268 Flinders Street, Melbourne, Victoria, Australia, Patent Attorney and Engineer (nominee of the Gesellschaft für Drahtlose Telegraphie m.b.H., of Tempelhofer Ufer 9, Berlin, Germany, Manufacturers, the assignees of August Leib, of 126 Albrechtstrasse, Tempelhof, near Berlin aforesaid, Engineer, and August Frey, of 3 Jungfernsteig, Nonnendamm, near Berlin aforesaid, Engineer). Improvements relating to connection-changing arrangements for wireless-telegraphy stations.

Claim.—(1.) A switching-apparatus for the stations of wireless telegraphy in which the changing-over from the transmitting to the receiving connections takes place automatically on the release of the telegraphing-key, characterized by the switch mechanism being provided with means adapted to retard the change from the transmitting into the receiving position, but which will exert no retarding influence on the movement of the switch-member from the receiving into the transmitting position, so that during regular telegraphing no return of the apparatus to the receiving position takes place, and telegraphing may also be effected at any desired speed.

(Specification, 10s. 6d.)

[NOTE.—Here follow five other claims.]

No. 30259.—27th September, 1911.—HERBERT DENNIS, of Young Street, Machinist; CHARLES GILBERT SHEPARD and ROBERT OTTO WATTS, of Currie Street, Land Agents, all of Adelaide, South Australia, Australia. An improvement in building-blocks and method of reinforcing buildings.

Extract from Specification.—In carrying out my invention into effect we form slabs of building-material suitable for the sides of walls, and we also form certain projections which when used in combination with adjacent blocks constitute vertical pockets for the reception of reinforcement-bars and cement or concrete, thus constituting columns which add considerable strength to the structure. The projections also act as stiffening for internal walls. (Specification, 3s. 6d.)

[NOTE.—The above extract from the specification is inserted in place of the claims.]

No. 30263.—27th September, 1911.—ALBERT CHRISTIAN DIEHL, of 109 S. 34th Street, Camden, New Jersey, United States of America, Machinist. Improvements relating to talking-machines.

Claims.—(1.) A stylus mounting for the sound-boxes of talking-machines, comprising two distanced posts integral with the stylus-bar, tapered so as to have opposite converging surfaces and present an axis of oscillation for the stylus-bar in one and the same line. (2.) A stylus-bar mounting as claimed in claim 1 in which, in addition to the tapering on either side of the axis of oscillation, the posts are further tapered to increase the resiliency of the supports. (3.) A stylus-bar mounting as claimed in claim 1 or 2, provided with a stop to limit the relative movement of the lower and upper portion of the stylus-bar, so that the limit of elasticity of the tapered portions will not be overpassed. (Specification, 6s.)

No. 30264.—27th September, 1911.—ALBERT CHRISTIAN DIEHL, of 109 S. 34th Street, Camden, New Jersey, United States of America, Machinist. Improvements relating to talking-machines.

Claim.—A mounting for the diaphragm of sound-boxes consisting of a unitary annular body of yielding material which in section is externally rectangular on three sides, while the fourth, the inner side, is doubly channelled so as to provide a line-bearing on either side of the diaphragm and at the same time a cushion of sufficient resiliency behind the bearing-edges. (Specification, 4s. 3d.)

No. 30277.—29th September, 1911.—PERCIVAL JAMES GOSSLING, of Willis Street, Wellington, New Zealand, Manager. An improved advertising-method.

Claim.—(1.) The improved method of displaying advertisements whereby the index-letter of certain subject-matter will indicate the position of advertisements, substantially as set forth. (Specification, 2s. 3d.)

[NOTE.—Here follow three other claims.]

No. 30279.—28th September, 1911.—EDWARD HILL BRIDGE, of "Walcote," Melbourne Road, Spotswood, Victoria, Australia, Electrician. Improved means of, and apparatus for, recording calls made by telephone.

Extract from Specification.—In carrying the invention into effect I utilize an arrangement of electro-magnets and armatures in two sets, there being in each set a high-resistance coil wound in two halves, the outside winding of one coil being connected to the inside winding of the other coil in series, and *vice versa*. Means are also provided for registering effective and ineffective calls through suitable switch mechanism. (Specification, 8s. 9d.)

[NOTE.—The above extract from the specification is inserted in place of the claims.]

No. 30285.—29th September, 1911.—INTERNATIONAL HARVESTER COMPANY, a corporation duly organized under the laws of the State of New Jersey, having its principal office at 606 South Michigan Avenue, Chicago, County of Cook, State of Illinois, United States of America (assignees of Edward Arthur Johnston, of 5330 Madison Avenue, and Charles Irving Longenecker, of 1640 Ridgway Avenue, both of Chicago aforesaid, Mechanical Engineers). Internal-combustion engines.

Claim.—(1.) An internal-combustion engine, including, in combination, a power-cylinder and a combustion-chamber, a water-chamber surrounding said cylinder and combustion-chamber, a constant-level feed-cup communicating with said water-chamber and with a source of water-supply, a check-valve located in the passage between said cup and water-chamber and closing against pressure within said chamber, and an eduction-outlet communicating with said water-chamber whereby an intermittent outflow of steam and hot water from, followed by an inflow of colder water into, said water-chamber results during the operation of the engine. (Specification, 15s.)

[NOTE.—Here follow ten other claims.]

No. 30305.—24th November, 1910.†—RALPH SADLIER FALKNER, of 103–105 William Street, Melbourne, Victoria, Australia, Pastoralist (assignee of Paul Boll, of 103–105 William Street aforesaid, Electrical Engineer). Improved gear for driving sheep-shearing and other machines.

Extract from Specification.—According to this invention, a length of rigid tube—say, 4 in. or 4½ in. in diameter, and of sufficient length to accommodate the required number of overhead gears to drive the hand-pieces—is lashed or otherwise secured to posts or other supports in any convenient manner. Extending preferably through the centre of this

length of tube is a drive spindle or shaft having keyed or otherwise fitted upon it a bevel or other gear wheel adapted to communicate motion through a corresponding gear-pinion to the flexible or other shaft or spindle leading to the hand-pieces or other appliances to be driven.

(Specification, 7s. 6d.)

[NOTE.—The above extract from the specification is inserted in place of the claims.]

No. 30307.—27th October, 1910.†—CHARLES REIMANN, of No. 4 Elizabeth Street, Redfern, near Sydney, New South Wales, Australia, Hairdresser. An improved door-check and alarm.

Extract from Specification.—This improved door-check and alarm comprises an ordinary spring bell and a frame having a compressible end kept apart from push-rod of the ratchet-pawl of the bell by a spring or springs and the whole enclosed in a suitable casing. The compressible end as well as the stationary end of the frame or the casing has a spike or spikes, those of the former being adapted to be inserted into the door in a diagonal or inclined direction at the back of the door, and those of the latter to be inserted into the floor where the door is to be checked or held, and only sufficiently inserted to just hold the appliance in position.

(Specification, 2s. 9d.)

[NOTE.—The above extract from the specification is inserted in place of the above claims.]

No. 30309.—5th October, 1911.—HORACE JOHN HAMLIN PICKERING, of Victoria Street, Wellington, New Zealand, Manufacturer. Improvements relating to caps.

Extract from Specification.—According, the cap is provided with a series of parallel rows of stitching traversing the width of the cap from the rear end thereof to the front.

(Specification, 2s.)

[NOTE.—The above extract from the specification is inserted in place of the claims.]

No. 30319.—6th October, 1911.—CHARLES BURRIDGE, of Wairoa, Hawke's Bay, New Zealand, Photographer. An improved rain-water strainer and filter.

Extract from Specification.—According, a drum, provided with a lid slidable on a downpipe, has a flange whereby it is supported in a manhole on the top of a water-tank. An overflow-pipe from the drum is connected to a waste-water pipe. A shoot, pivoted in the drum, is weighted to deliver into and rest upon the opening of the overflow-pipe. A slot in the bottom of the shoot is adapted to be covered by a slide and thereby regulate the opening. A can or cylinder, located below the slot in the shoot, contains a float-ball, and has a slot in its side. An outflow-pipe from the drum to the tank is covered with perforated zinc or the like, and has a slot in its side. A partition across the drum has an opening at the bottom, and separates filtering-material from the can or cylinder and outflow-pipe.

(Specification, 5s. 6d.)

[NOTE.—The above extract from the specification is inserted in place of the claims.]

No. 30320.—6th October, 1911.—JAMES BEAGLEY, of Carlyle Street, Napier, Hawke's Bay, New Zealand, Contractor, and WILLIAM MCKENZIE ANGUS, of Taradale, Hawke's Bay aforesaid, Contractor. Improved scaffold-bracket.

Claim.—(1.) A scaffold-bracket comprising, in combination, a frame in two parts, hinged together at one end, and clamped upon the upright by a thumbpiece at the other end, with a projecting bracket or brackets to receive the ledger or horizontal cross-pieces, substantially as specified and illustrated.

(Specification, 1s. 6d.)

[NOTE.—Here follows one other claim.]

No. 30329.—5th October, 1911.—CHARLES EDWARD HARDLEY, of Auckland, New Zealand, Manufacturer. A detachable leg for baths and the like.

Extract from Specification.—The leg is formed with an inner curved part, in which the bath rests, and is secured thereto by means of projections fitting into recesses formed on a separate part, a countersunk screw-bolt and nut holding it in, firmly in position.

(Specification, 2s. 9d.)

[NOTE.—The above extract from the specification is inserted in place of the claims.]

No. 30332.—9th October, 1911.—DAVID SCOTT, of Doyleston, Canterbury, New Zealand, Engineer. Improved apparatus for sharpening chaff-cutter knives and the like.

Extract from Specification.—According, the emery or other similar sharpening-wheel is fixed upon the end of flexible shafting, which is driven by means of a friction-pulley from the fly-wheel or a pulley of an engine or the like. Means are employed for throwing the apparatus out of gear.

(Specification, 2s. 3d.)

[NOTE.—The above extract from the specification is inserted in place of the claims.]

■ No. 30337.—10th October, 1911.—ARCHIBALD JOHN CAMERON, of Papakaio, New Zealand. Improvements in the races of sheep-dips.

Claim.—(1.) In sheep-dip races of the class described, bars for supporting the travelling band, extending one along each side of the band, and hinged at their upper ends to the race-frame, and supported at their other ends by ropes carried on a rotating drum, substantially as and for the purposes specified.

(Specification, 2s. 6d.)

[NOTE.—Here follows one other claim.]

No. 30348.—11th October, 1911.—KNUT IVAR LINDSTROM, of Nykvarn, Sweden, Proprietor. Improvements in milking-machines.

Claim.—(1.) In milking-machines where the teats are subject to the action of teat-cups operated by means of vacuum or pressure, or both, the improvement that the teat-cups are adjustably connected with the milk-receiver by means of unelastic pipes, preferably of metal, and that the milk-receiver is suspended on the cow.

(Specification, 5s.)

[NOTE.—Here follow eight other claims.]

Copies of drawings may be obtained at the uniform price of 1s. each. In exceptional cases this price may be increased at the discretion of the Office.

An asterisk (*) denotes the complete specification of an invention for which a provisional specification has been already lodged. A dagger (†) denotes a prior date upon the International and Intercolonial Arrangements.

NOTE.—The cost of copying the specification has been inserted after the notice of each application. An order for a copy or copies should be accompanied by a post-office order or postal note for the cost of copying.

The date of acceptance of each application is given after the number.

Extracts from the drawings accompanying the foregoing complete specifications appear at the end of the *Gazette*.

J. C. LEWIS,
Registrar.

Provisional Specifications accepted.

Patent Office.
Wellington, 23rd November, 1911.

APPLICATIONS for Letters Patent, with provisional specifications, have been accepted as under:—

- No. 29540.—N. Andrew, coal washer, &c. (Campbell Gas Engine Company, Limited—H. Campbell.)
- No. 30143.—G. Livingston, sales-recorder.
- No. 30150.—Asbestos Sheet and Plaster Company Proprietary, Limited, composition of matter. (G. Hosegood.)
- No. 30202.—Australian Wood Pipe Company, Limited, wood stave pipe. (F. T. Burnett and A. G. McDonald.)
- No. 30238.—E. C. Reynolds, time-limit lock.
- No. 30255.—W. C. Rowlandson, hill-climbing boot.
- No. 30290.—W. Clarkson, attaching fencing-wire to posts.
- No. 30297.—F. R. Rayner, head-gear advertising.
- No. 30316.—S. A. Thackray, mamitis, &c., cure.
- No. 30319.—C. Burrige, rain-water strainer, &c.
- No. 30322.—C. W. Clayton, wreck-locating buoy.
- No. 30357.—W. J. Courtney, pneumatic-tire cover.
- No. 30361.—W. H. and J. T. Warburton, hoe.
- No. 30362.—J. A. Sargent, milk, &c., releasing valve.
- No. 30364.—E. Boraman, C. S. Roughton, and J. B. Waters, egg-preserver.
- No. 30366.—G. H. Sutcliffe and J. Mounce, concrete pipe.
- No. 30368.—C. Y. Dally, jug-cover.
- No. 30369.—H. A. Glass, spade.
- No. 30370.—W. P. J. Long, rifle-cleaner.
- No. 30377.—J. V. Banfield, spinning-jenny for fence-wire.
- No. 30387.—J. Lethaby, pipe-stand.
- No. 30388.—J. J. Hodgson and J. B. Laurenson, pasteurizer.
- No. 30389.—W. W. Martin, needle-threader.
- No. 30390.—W. H. Carter, jun., pastel-tinting fixing.
- No. 30396.—J. E. Park, hairdressing-preparation. (J. Burton.)
- No. 30412.—R. P. Hill, coupling taps, &c., to hose.
- No. 30449.—E. Roos, cream-separator. (O. H. Shaw.)
- No. 30466.—E. J. Armstrong, teat-cup.

[NOTE.—Provisional specifications cannot be inspected, or their contents made known by this office in any way, until the complete specifications in connection therewith have been accepted.]

Letters Patent sealed.

LIST of Letters Patent sealed from the 9th to the 11th November, 1911, inclusive:—

No. 23728.—D. T. Sharples, milking-method.

Letters Patent on which Fees have been paid.

[NOTE.—The dates are those of the payments.]

SECOND-TERM FEES.

NO. 23707.—F. Fraser, removably pointed pick-head. (J. Mazlin.) 22nd November, 1911.

No. 23746.—C. North, willow and noxious-weed exterminator. 20th November, 1911.

No. 23770.—A. Small, jun., milking-machine. 13th November, 1911.

No. 23772.—G. and C. Hoskins, Limited, rolled-metal plate edge-upsetting machine. (G. J. Hoskins.) 22nd November, 1911.

No. 23812.—D. Roberts, internal-combustion engine. 22nd November, 1911.

No. 23813.—D. Roberts, internal-combustion engine. 22nd November, 1911.

No. 25290.—G. B. Bowles, railway-wagon, &c., brake. 10th November, 1911.

No. 25427.—The Expanded Metal Company, Limited, expanded-metal manufacture. (F. H. Crittall.) 22nd November, 1911.

THIRD-TERM FEES.

No. 18933.—Aktiebolaget Separator, centrifugal separator. (E. A. Forsberg.) 13th November, 1911.

Subsequent Proprietors of Letters Patent registered.

[NOTE.—The name of the former proprietor is given in brackets; the date is that of registration.]

NO. 12834.—The Welsbach Light Company, Limited, whose registered office is situate at 344-354 Gray's Inn Road, London, England (registered as Proprietors, subject to and with the benefit of the license to the Welsbach Light Company of Australasia, Limited). Gas-stove. (Welsbach Incandescent Gas Light Company, Limited—C. Clamond.) 24th November, 1911.

No. 23267.—Fred William Knight, of Waipori, Otago, New Zealand, Storekeeper (registered as Proprietor of the one-half share and interest of William O'Brien, the younger. Hydraulic-nozzle operator. (W. O'Brien and F. W. Knight.) 22nd November, 1911.

No. 25482.—Annie Reid, of Dunedin, New Zealand, Spinster, and James Gray, of Dunedin aforesaid, Agricultural-Implement Manufacturer. Suction-blast seed stripper and dresser. (E. H. Brooker.) 20th November, 1911.

No. 27253.—Full and exclusive license noted on the Register to E. W. Mills and Co., Limited, of Hunter and Victoria Streets, Wellington, New Zealand, Hardware-merchants, to manufacture, use, and vend the invention in New Zealand for six years from the 19th October, 1911, upon the terms set out in deed. Butter-blender. (N. S. Corney.) 15th November, 1911.

No. 28952.—Cyril Asplan Beldam, of 93 and 94 Gracechurch Street, London E.C., England. Piston-rod packing. (G. H. Robinson and C. A. Beldam.) 24th November, 1911.

Applications for Letters Patent abandoned.

LIST of applications, with which provisional specifications only have been filed, abandoned (i.e., complete specifications not lodged) from the 10th to the 23rd November, 1911, inclusive:—

No. 28827.—R. Sanderson, producer-gas furnace.
No. 28967.—W. Dalziel, potato-digger.
No. 28980.—J. S. Nicholson, indicating deviations from level of moving bodies.

No. 28982.—J. I. Moss, kerosene-tin cover.
No. 28989.—W. Clarke, milk-pasteurizer.
No. 28993.—H. Worsley, meat-safe.
No. 28995.—A. Campbell, hatpin.
No. 29003.—E. Henshaw, spoke-brush.
No. 29004.—H. E. Hyde, wire-strainer.
No. 29006.—C. G. McKellar, flushing-system.
No. 29007.—K. Young, spectacles-frame.
No. 29008.—K. Young, lamp-stand.
No. 29009.—R. A. M. J. Scholtz, explosion-engine valve.
No. 29011.—G. Porter, acetylene-generator.
No. 29013.—C. C. Odlin, W. Johnston, and T. D. Glover, flushing-apparatus.

No. 29023.—V. F. Giraud, teat-cup.
No. 29029.—T. B. Jacobsen, aerial ship.
No. 29030.—J. R. Howard, telephone-system.

Applications for Letters Patent void.

APPPLICATIONS for Letters Patent, with which complete specifications have been lodged, void owing to non-acceptance of such complete specifications, from the 10th to the 23rd November, 1911, inclusive:—

No. 28233.—A. D. Kerr, aeroplane.
No. 28252.—C. G. McKellar, screw-top jar.
No. 28294.—F. Humphries, mitre-cramp.

Applications for Letters Patent lapsed.

APPPLICATIONS for Letters Patent lapsed, owing to Letters Patent not being sealed, from the 10th to the 23rd November, 1911, inclusive:—

No. 27716.—H. Kershaw, station-indicator.
No. 27723.—J. E. O'Neill and A. Richardson, candle-extinguisher.
No. 27736.—J. Bruce, tire-shrinking machine.
No. 27741.—J. Watterson, F. S. Phillips, and T. Turner, anti-friction device for bull-ropes.
No. 27747.—J. Stuart-Edward, cultivating-implement.
No. 27755.—R. McGaffin, flax-washer.
No. 27759.—J. J. Keppel, flax-washer.
No. 27781.—J. P. Maloney, wiring and stapling boxes.

Letters Patent void.

LIST of Letters Patent void through non-payment of renewal fees, and through expiry of term of fourteen years, from the 10th to the 23rd November, 1911, inclusive:—

THROUGH NON-PAYMENT OF SECOND-TERM FEES.

No. 23066.—H. Frew, bird-trap.
No. 23284.—W. H. Duncan, water-heater.
No. 23291.—R. O. Clark, conduit.
No. 23293.—L. C. Auldjo, fruit-case.
No. 23301.—United Shoe Machinery Company, sole-pressing machine. (B. F. Mayo and E. E. Winkley.)
No. 23305.—J. Marsh, acetylene-generator.
No. 23313.—Moore Manufacturing Company, Limited, wash-board. (J. R. Moore.)
No. 23321.—W. E. Reynolds and A. G. Tomkies, belt-fastener.
No. 23322.—C. Ross, jun., blanket-grip.
No. 23325.—C. D. Pike, flooring-cramp.
No. 23334.—P. Rabbidge, electric secondary cell.
No. 23335.—T. C. Reynolds, drying macaroni, &c. (J. Yberty, A. Desanges, J. Alloatti.)
No. 23336.—A. V. and D. P. Dear, artificial denture.
No. 23340.—Blaisdell Company, filter-leaves. (G. G. Turri—H. W. Blaisdell and H. A. Brooks.)
No. 23347.—J. Wilson, file.
No. 23349.—A. C. Bartlett, mining-drill-dust preventer.
No. 23350.—Monoman Typesetter Company, type-casting and composing machine. (W. E. Brand.)
No. 23362.—J. B. Duckett, gas-burner.

THROUGH NON-PAYMENT OF THIRD-TERM FEES.

No. 18299.—United Shoe Machinery Company, heel-compressing machine. (B. F. Mayo.)
No. 18300.—United Shoe Machinery Company, heel-compressing machine. (T. Lund.)
No. 18306.—H. Quertier, dredging and excavating machine.
No. 18307.—W. Stevenson, dining and billiard table.
No. 18326.—New Inverted Incandescent Gas Lamp Company, Limited, incandescent-mantle support. (J. Bridger.)
No. 18331.—R. Thomas and G. Hall, fencing-post.
No. 18333.—A. Stephan and R. Sands.
No. 18353.—W., J., and W. Fairweather, flax-stripper.
No. 18360.—J. W. Tattersfield, paper or parchment blind.
No. 18361.—E. C. Mahony, wall-sections.

THROUGH EXPIRY OF TERM.

No. 10114.—Mephan Ferguson Patent Locking Bar Steel Pipe Company of New Zealand, Limited, manufacture of rivetless pipes. (M. Ferguson.)
No. 10115.—Mephan Ferguson Patent Locking Bar Steel Pipe Company of New Zealand, Limited, manufacture of rivetless pipes. (M. Ferguson.)

Design expired.

THE copyright in the following design has expired:—

No. 311.—F. McLaughlin. Class 3.

Applications for Trade Marks filed.

LIST of applications for registration of Trade Marks filed from the 10th to 23rd November, 1911, inclusive:—

No. 10055.—10th November.—Rex Motor Manufacturing Company, Limited, Earlsdon, Eng. Class 22.

No. 10056.—13th November.—E. O. French, Coventry, Eng. Class 13.

Nos. 10057 and 10058.—14th November.—Hollins Mill Company, Limited, Manchester, Eng. Class 24.

No. 10059.—17th November.—J. L. Stifel and Sons (W. F., E. W., H. G., and A. C. Stifel), Wheeling, U.S.A. Class 34.

No. 10060.—17th November.—Donaghy's Rope and Twine Company, Limited, Dunedin and elsewhere, N.Z. Class 50.

No. 10061.—17th November.—A. Jack, Silverdale, N.Z. Class 42.

No. 10062.—21st November.—J. Wilson and Co., Christchurch, N.Z. Class 39.

No. 10063.—22nd November.—Chalmers Knitting Company, Amsterdam, U.S.A. Class 38.

No. 10064.—22nd November.—Eclectic Company, Limited, Mortlake, Eng. Class 49.

No. 10065.—22nd November.—F. Doble and Sons, London and Ravensthorpe, Eng. Class 38.

No. 10066.—22nd November.—General Roofing Manufacturing Company, East St. Louis, U.S.A. Class 22.

No. 10067.—22nd November.—W. G. Nixey, Limited, London, Eng. Class 50.

Nos. 10068 and 10069.—22nd November.—Dr. Williams Medicine Company of Australasia, Limited, Sydney, N.S.W. Class 3.

No. 10070.—22nd November.—J. Nathan and Co., Limited, Wellington, N.Z. Class 42.

Nos. 10071 and 10072.—23rd November.—Wormalds and Walker, Limited, Dewsbury, Eng. Class 35.

No. 10073.—23rd November.—Witting Bros., Limited, London, Eng. Class 15.

Applications for Registration of Trade Marks.

Patent Office,

Wellington, 23rd November, 1911.

APPPLICATIONS for registration of the following Trade Marks have been received. Notice of opposition to the registration of any of these applications may be lodged at this office within two months of the date of this *Gazette*. Such notice must be in duplicate, and accompanied by a fee of £1.

No. of application: 9650.

Date: 25th May, 1911.

TRADE MARK.

The word

OXYPATHY.

The essential particular of this trade mark is the word "Oxyopathy."

NAME.

THE OXYGENATOR COMPANY, a corporation organized and existing under and by virtue of the laws of the State of New York, located and doing business at the City of Buffalo, State of New York, United States of America.

No. of class: 11.

Description of goods: Oxygenators.

No. of application: 9801.

Date: 29th July, 1911.



The essential particular of this trade mark is the distinctive device; and any right to the exclusive use of the added matter is disclaimed.

NAME.

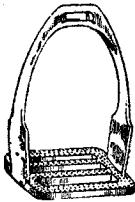
J. T. NORTON AND Co., of Oxford Street, Lyttelton, in the Dominion of New Zealand, Grocers, Bakers, and Pastrycooks.

No. of class: 42.

Description of goods: Yeast, bread-improvers, and all other articles included in Class 42.

No. of application: 9944.
Date: 29th September, 1911.

TRADE MARK.



Stirrup-Iron Brand
MUNN'S
Ointment & Liniment

The essential particulars of this trade mark are the device and words "Stirrup-iron"; and any right to the exclusive use of the word "Brand" is disclaimed.

NAME.

DAVID HOGG MUNN, of Te Aute, Hawke's Bay, in the Dominion of New Zealand.

No. of class: 3.
Description of goods: Liniment and ointment.

No. of application: 9959.
Date: 6th October, 1911.

TRADE MARK.



OBTAINABLE FROM DEALERS

PATENT 1910

From
The Office Appliance Co
17 & 19 CUBA STREET WELLINGTON.
TRY O.A.C. RIBBONS! THEY ARE EXCELLENT
CLEAN, BRIGHT, LASTING

The essential particular of this trade mark is the distinctive label.

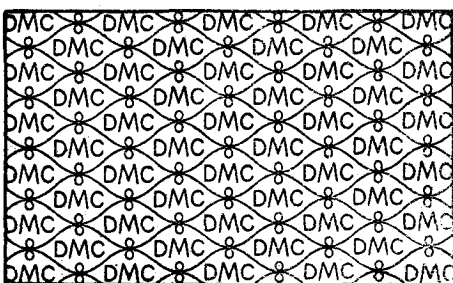
NAME.

THE OFFICE APPLIANCE COMPANY, of 17 and 19 Cuba Street, Wellington, in the Dominion of New Zealand.

No. of class: 39.
Description of goods: Carbon paper.

No. of application: 9989.
Date: 18th October, 1911.

TRADE MARK.



The essential particular of the trade mark is as follows—the distinctive label.

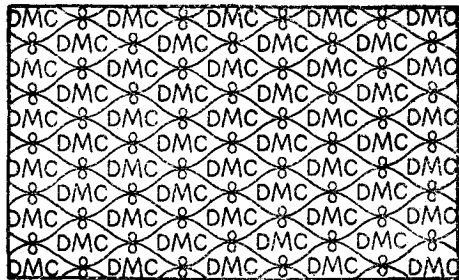
NAME.

DOLLFUS-MIEG & CIE., SOCIÉTÉ ANONYME, whose office is at Mulhouse, in Alsace, Germany, Spinners.

No. of class: 23.
Description of goods: Sewing-cotton.

No. of application: 9990.
Date: 18th October, 1911.

TRADE MARK.



The essential particular of the trade mark is as follows—the distinctive label.

NAME.

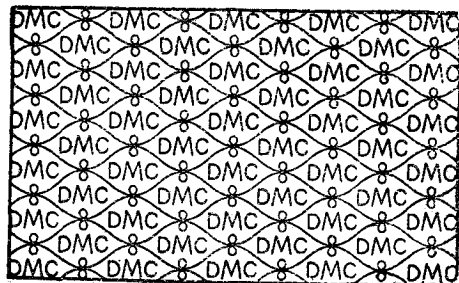
DOLLFUS-MIEG & CIE., SOCIÉTÉ ANONYME, whose office is at Mulhouse, in Alsace, Germany, Spinners.

No. of class: 25.
Description of goods: All goods included in this class.

[NOTE.—Class 25 is for "Cotton goods not included in Classes 23, 24, or 33, such as cotton lace, cotton braids, cotton tapes."]]

No. of application: 9991.
Date: 18th October, 1911.

TRADE MARK.



The essential particular of the trade mark is as follows—the distinctive label.

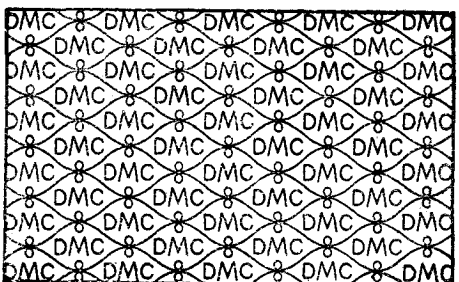
NAME.

DOLLFUS-MIEG & CIE., SOCIÉTÉ ANONYME, whose office is at Mulhouse, in Alsace, Germany, Spinners.

No. of class: 26.
Description of goods: Linen and hemp yarn and thread.

No. of application: 9992.
Date: 18th October, 1911.

TRADE MARK.



The essential particular of the trade mark is as follows—the distinctive label.

NAME.

DOLLFUS-MIEG & CIE., SOCIÉTÉ ANONYME, whose office is at Mulhouse, in Alsace, Germany, Spinners.

No. of class : 30.

Description of goods : Silk (spun, thrown, or sewing).

No. of application : 10021.

Date : 20th October, 1911.

TRADE MARK.



The essential particulars of this trade mark are the distinctive device and the invented word "Asga"; and any right to the exclusive use of the letters "A," "S," "G," "A," used individually or in the formation of any dissimilar word, is disclaimed.

NAME.

PHILIPS AND PIKE, of National Mutual Insurance Company's Buildings, Customhouse Quay, Wellington, in the Dominion of New Zealand, Merchants.

No. of application : 10031.

Date : 27th October, 1911.

TRADE MARK.



The essential particulars of this trade mark are the distinctive label and the word "Phoenix"; and any right to the exclusive use of the added matter is disclaimed.

NAME.

THE NEW ZEALAND CANDLE COMPANY, LIMITED, of Kaiwarra, Wellington, in the Dominion of New Zealand, Candle-manufacturers.

No. of class : 47.

Description of goods : Candles.

No. of application : 10032.

Date : 27th October, 1911.

TRADE MARK.



The essential particulars of this trade mark are the distinctive label and the word "Ajax"; and any right to the exclusive use of the added matter is disclaimed.

The applicants claim that the said trade mark has been used by them and their predecessors in business (J. Kitchen and Sons, and Apollo Company, Limited) in respect of the articles mentioned for some years prior to the 1st January, 1890.

NAME.

THE NEW ZEALAND CANDLE COMPANY, LIMITED, of Kaiwarra, Wellington, in the Dominion of New Zealand, Candle-manufacturers.

No. of class : 47.

Description of goods : Candles.

No. of application : 10041.

Date : 6th November, 1911.

TRADE MARK.



The essential particulars of the trade mark are the following—the device and the words "Man-o'-war"; and any right to the exclusive use of the added matter is disclaimed.

NAME.

EAGLE PENCIL COMPANY, of 377 Broadway, New York, in the County and State of New York, United States of America; and Ashley Road, Tottenham, London N., England, Manufacturers.

No. of class : 39.

Description of goods : Pencils, pencils and sharpeners combined, sharpeners, rubber erasers, and pens included in this class.

No. of class : 47.

Description of goods : Candles, common soap, detergents; illuminating, heating, or lubricating oils; starch, blue, and other preparations for laundry purposes, such as washing-powders; benzene, motor spirit, benzoline, and spirits of a like nature.

No. of application : 10025.

Date : 24th October, 1911.

TRADE MARK.



The essential particulars of this trade mark are the distinctive mark or brand, and the word "Lacqueret."

NAME.

STANDARD VARNISH WORKS, a corporation having its head office at 29 Broadway, New York City, United States of America, Manufacturers.

No. of class : 1.

Description of goods : Varnishes, lacquers, enamels, stains, and paints.

No. of application : 10052.

Date : 8th November, 1911.

TRADE MARK.



The essential particulars of the trade mark are the following—the distinctive mark and the word "Lubriko."

NAME.

T. M. GOODALL AND CO., LIMITED, of 303 and 305 Kent Street, Sydney, New South Wales, Commonwealth of Australia, Engineers, Machinery Merchants, and Importers.

No. of class : 47.

Description of goods : Grease, yarn-grease; illuminating, heating, or lubricating oils; matches, candles, common soap, detergents, starch, blue, and other preparations for laundry purposes.

No. of application : 10054.
Date : 9th November, 1911.

TRADE MARK



The essential particular of the trade mark is the following—the name "Ford" written in the particular and distinctive manner shown.

NAME.

THE FORD MOTOR COMPANY OF CANADA, LIMITED, a corporation doing business in the Town of Walkerville, County of Essex, Province of Ontario, Dominion of Canada, Manufacturers.

No. of class : 22.
Description of goods : Automobiles and motor-cars.

No. of application : 10058.
Date : 14th November, 1911.

TRADE MARK.

PURE



F5

The essential particular of the trade mark is a sprig of holly with berries; and any right to the exclusive use of the added words "Pure Scotch finish," "F5," "Trade Mark" is disclaimed.

NAME.

THE HOLLINS MILL COMPANY, LIMITED, of 5 Portland Street, Manchester, England, Cotton-manufacturers.

No. of class : 24.
Description of goods : Cotton piece-goods of all kinds.

No. of application : 10060.
Date : 17th November, 1911.

TRADE MARK.



The essential particular of this trade mark is a green thread laid up with the yarns forming the rope or cordage.

NAME.

DONAGHY'S ROPE AND TWINE COMPANY, LIMITED, of Dunedin and elsewhere, in the Dominion of New Zealand.

No. of class : 50.
Description of goods : Rope and cordage of every description included in this class.

No. of application : 10061.
Date : 17th November, 1911.

TRADE MARK.



The essential particular of this trade mark is the word "Glenalvon"; and any right to the exclusive use of the added matter is disclaimed.

NAME.

ANDREW JACK, of Glenalvon Orchard, Silverdale, in the Dominion of New Zealand, Orchardist.

No. of class : 42.
Description of goods : All kinds of fruit.

No. of application : 10063.
Date : 22nd November, 1911.

TRADE MARK

POROSKNIT

NAME.

CHALMERS KNITTING COMPANY, of 23 Washington Street, Amsterdam, New York, United States of America, Manufacturers.

No. of class : 38.
Description of goods : Articles of clothing.

No. of application : 10064.
Date : 22nd November, 1911.

TRADE MARK.

EXCELITE

NAME.

THE ECLECTIC COMPANY, LIMITED, of Excelite Works, St. Leonard's Road, Mortlake, London, England, Manufacturers.

No. of class : 49.
Description of goods : Games of all kinds and sporting articles not included in other classes.

No. of application : 10065.
Date : 22nd November, 1911.

TRADE MARK.

The word

ASTRA.

The essential particular of this trade mark is the word "Astra."

NAME.

FREDERICK DOBLE AND SONS, of 20 and 20A Aldermanbury, in the City of London, England, and of Wharf Mills, Ravensthorpe, Dewsbury, in the County of York, England, Manufacturers and Warehousemen.

No. of class : 38.
Description of goods : Articles of clothing.

No. of application : 10071.
Date : 23rd November, 1911.

TRADE MARK.

The word

CORMALD.

The essential particular of the trade mark is the following—the word "Cormald."

NAME.

WORMALDS AND WALKER, LIMITED, of Dewsbury Mills, Thornhill Road, Dewsbury, Yorkshire, England, Manufacturers.

No. of class : 35.
Description of goods : Blankets, included in Class 35.

J. C. LEWIS,
Registrar.

Trade Marks registered.

LIST of Trade Marks registered from the 10th to the 23rd November, 1911, inclusive:—

- No. 7809/9427.—Church and Co. Class 38. (*Gazette* No. 69, of the 24th August, 1911.)
 No. 7810/9521.—A. E. Budd and Co. Class 13. (*Gazette* No. 33, of the 20th April, 1911.)
 No. 7811/9709.—Wunderlich Limited. Class 5. (*Gazette* No. 65, of the 10th August, 1911.)
 No. 7812/9494.—A. P. Ordway and Co. Class 3. (*Gazette* No. 69, of the 24th August, 1911.)
 No. 7813/9659.—Pacific Mills. Class 34. (*Gazette* No. 69, of the 24th August, 1911.)
 No. 7814/9804.—W. W. Brown. Class 38. (*Gazette* No. 69, of the 24th August, 1911.)
 No. 7815/9806.—Bradbury, Greatorex, and Co., Limited. Class 38. (*Gazette* No. 69, of the 24th August, 1911.)
 No. 7816/9835.—Homocea Limited. Class 2. (*Gazette* No. 69, of the 24th August, 1911.)
 No. 7817/9767.—E. Shep. Dixon. Class 16. (*Gazette* No. 69, of the 24th August, 1911.)
 No. 7818/9830.—J. B. Gilberd and Sons, Limited. Class 47. (*Gazette* No. 69, of the 24th August, 1911.)
 No. 7819/9846.—W. J. Martin. Class 4. (*Gazette* No. 69, of the 24th August, 1911.)
 No. 7820/9800.—W. F. Tucker and Co. Class 42. (*Gazette* No. 69, of the 24th August, 1911.)
 Nos. 7821/9465 and 7822/9470.—Wallace Scott and Co., Limited. Class 34. (*Gazette* No. 72, of the 7th September, 1911.)
 Nos. 7823/9790.—Chalmers Motor Company. Class 22. (*Gazette* No. 72, of the 7th September, 1911.)
 Nos. 7824/9797, 7825/9798, and 7826/9799.—M. M. Hahn. Class 38. (*Gazette* No. 72, of the 7th September, 1911.)
 No. 7827/9817.—Pacific Mills. Class 24. (*Gazette* No. 72, of the 7th September, 1911.)
 No. 7828/9833.—L. E. Waterman Company. Class 39. (*Gazette* No. 72, of the 7th September, 1911.)
 No. 7829/9629.—W. Parton and Son. Class 13. (*Gazette* No. 46, of the 1st June, 1911.)
 No. 7830/9834.—Homocea Limited. Class 3. (*Gazette* No. 72, of the 7th September, 1911.)
 No. 7831/9862.—Wallace Scott and Co., Limited. Class 34. (*Gazette* No. 72, of the 7th September, 1911.)
 No. 7832/9879.—Glyco Metal Company, Limited. Class 5. (*Gazette* No. 72, of the 7th September, 1911.)
 No. 7833/9880.—Bell's United Asbestos Company, Limited. Class 17. (*Gazette* No. 72, of the 7th September, 1911.)
 No. 7834/9837.—The Zymole Company (Incorporated). Class 48. (*Gazette* No. 72, of the 7th September, 1911.)
 No. 7835/9889.—W. and A. Gilbey, Limited. Class 43. (*Gazette* No. 72, of the 7th September, 1911.)

Trade Mark Renewal Fees paid.

FEES paid for the renewal of the undermentioned Trade Marks for fourteen years from the date first mentioned:—

- No. 2215/1769.—25th November, 1911.—J. Connell and Co. Proprietary, Limited, Sydney, N.S.W., London, Eng., Melbourne, Vic., and Brisbane, Queens. (Kandena Tea Estates (Ceylon), Limited—H. S. Chipman.) 22nd November, 1911.
 No. 2231/1799.—17th December, 1911.—G. and H. Barnett Company, Philadelphia, U.S.A. 22nd November, 1911.
 No. 2235/1768.—21st December, 1911.—W. R. May, Richmond, N.Z. 21st November, 1911.
 Nos. 2265/1846 and 2266/1847.—21st February, 1912.—P. N. Heering, Copenhagen, Denmark. 23rd November, 1911.
 No. 2411/1934.—5th July, 1912.—P. N. Heering, Copenhagen, Denmark. 23rd November, 1911.

Subsequent Proprietors of Trade Marks registered.

[NOTE.—The name of the former proprietor is given in brackets; the date is that of registration.]

- No. 9474/7496.—St. Ivel Limited, whose registered office is situate at Newton Road, Yeovil, in the County of Somerset, England. (Aplin and Barrett and the Western Counties Creameries, Limited.) 22nd November, 1911.

Trade Marks removed from the Register.

TRADe Marks removed from the Register owing to the non-payment of the renewal fee, from the 10th to the 23rd November, 1911, inclusive:—

- No. 2083/1949.—13th August, 1897.—A. L. Potter, Melbourne, Vic. Class 1.
 No. 2085/1711.—13th August, 1897.—The Alonzo O. Bliss Company, Washington, D.C., U.S.A. Class 3.
 No. 2088/1725.—16th August, 1897.—G. R. White, Boston, U.S.A. Class 3.
 No. 2089/1691.—16th August, 1897.—A. Lyle and Sons, Limited, London, Eng. Class 42.
 No. 2092/1702.—19th August, 1897.—H. Derby, Bunnythorpe, N.Z. Class 42.

Application for Trade Mark opposed.

NOTICE of opposition has been filed in the following case:—

- No. 9737.—J. Neil, Limited, opposed by A. Boake, Roberts, and Co., Limited.

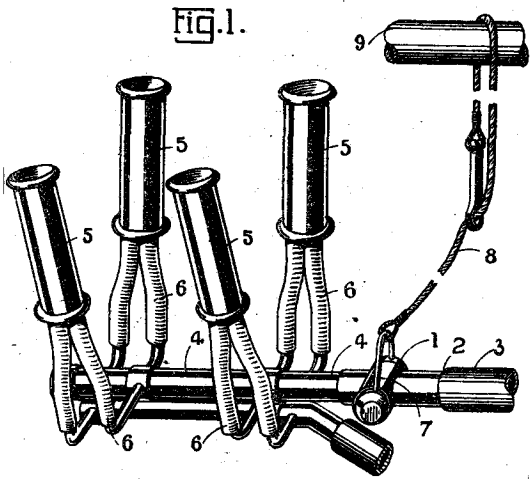
Alphabetical List of Applicants for Letters Patent for Quarter ended 30th September, 1911.

THIS list includes also (1) applications lodged prior to but gazetted during the quarter, (2) complete specifications following provisional specifications accepted and gazetted during the quarter. The first number and date are those of the application, the second (in parentheses) those of the *Gazette*. Where only one number and date are inserted, the application has not yet been accepted.

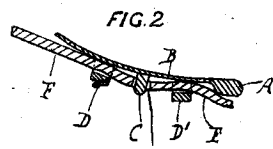
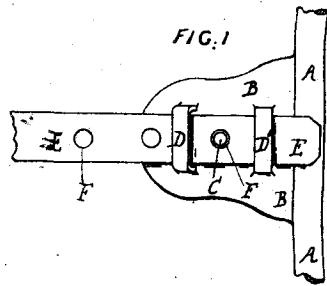
- * Denotes a provisional specification. † Denotes a prior date under the International and Intercolonial Arrangements.
- Abbott, T. M., Papanui, New Zealand; phonograph-record repeater; 30283, 29th September; (91, 16th November).*
- Aickin J., Auckland, New Zealand; ore-smelter; 30231, 16th September.
- Akers, A. M., Christchurch, New Zealand; hatpin-protector; 30016, 12th August; (83, 19th October).*
- Allan, A. T. W., Auckland, New Zealand; gold-saving table; 29999, 8th August; (69, 24th August).*
- Allan, E. A., Auckland, New Zealand; saddle-attachment; 28443, 16th September, 1910; (72, 7th September).
- Alland, W. B., Fitzroy, Victoria; wire-strainer; 30203, 13th September; (88, 2nd November).*
- Allen, G. T., Timaru, New Zealand; swingletree-shackle; 29832, 8th July.
- Ailing, J. H., Columbia, United States America (see Security and Holding Company, No. 29985).
- American Graphophone Company, Bridgeport, United States America; sound-record; (V. H. Emerson); 30041, 17th August; (88, 2nd November).
- Anderson, A. C., and another, Bluff, New Zealand; sausage-machine; 30262, 27th September; (91, 16th November).*
- Anderson, J., Tayport, Scotland; windmill-sail; 30024, 18th August, 1910.†; (99, 1st December).
- Andrews, F. H., Wellington, New Zealand; gun-sight; 29324, 28th March; (58, 13th July).*
- Ansdell, F., Dunedin, New Zealand; trolley-ear; 30197, 12th September; (88, 2nd November).*
- Arnabaldi, J., Devonport, New Zealand; venetian-blind; 29972, 4th August.
- Asbestos Sheet and Plaster Company Proprietary, Limited, Melbourne, Victoria; composition of matter; (G. Hosegood); 30150, 4th September; (99, 1st December).*
- Atkinson, A. H., Auckland, New Zealand; gas-meter; 30235, 29th September; (91, 16th November).*
- Australian Wood Pipe Company, Limited, Balmain, New South Wales; wood-stave pipe; (F. T. Burnett and A. G. McDonald); 30202, 13th September; (99, 1st December).*
- Bailey, W., East Brisbane, Queensland; clear-water securing; 29946, 1st August; (75, 21st September).*
- Balfour, T., Ongaonga, New Zealand; potato-planter; 28530, 4th October, 1910; (75, 21st September).
- Banks, J. H. G., Waihi, New Zealand; cigarette-paper; 30058, 19th August; (79, 5th October).*
- Bannister, A. R., and another, Gisborne, New Zealand; variable-speed gear; 29970, 31st July; (75, 21st September).*
- Barron, C. A., Oshkosh, United States America (see Current Motor Company, No. 29869).
- Barron, E. J., Auckland, New Zealand; hatpin-point holder; 30052, 17th August.

ILLUSTRATIONS OF INVENTIONS.

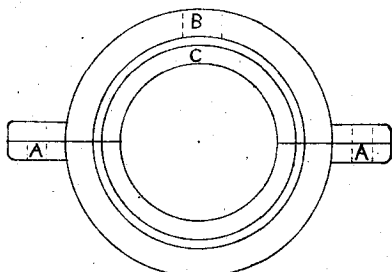
[These illustrations refer to the complete specifications accepted, and advertised in this *Gazette*.]



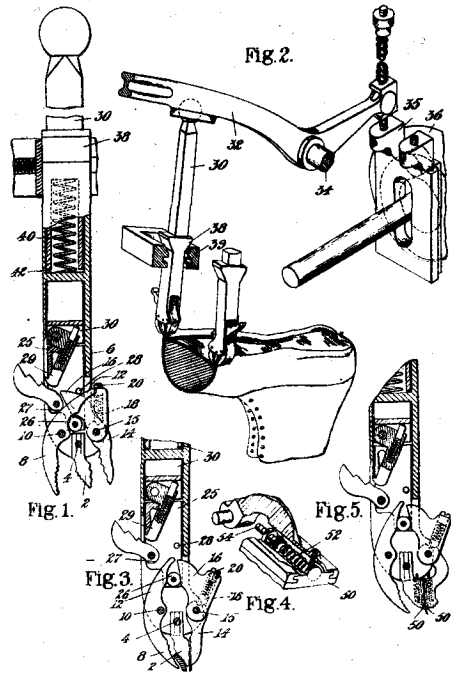
Milking machine pipe. Kettle 28856.



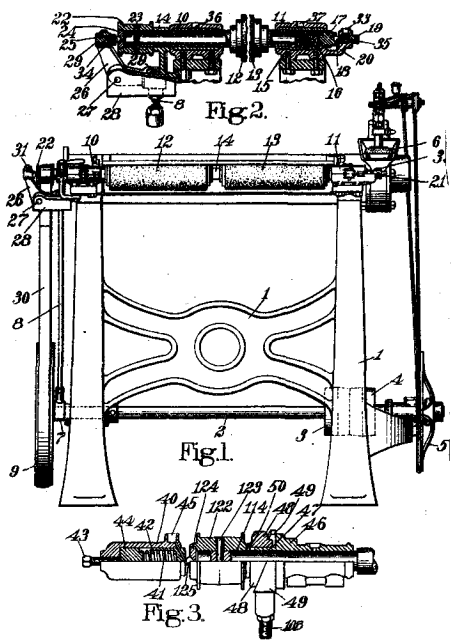
Hames attaching. Lind. 28990



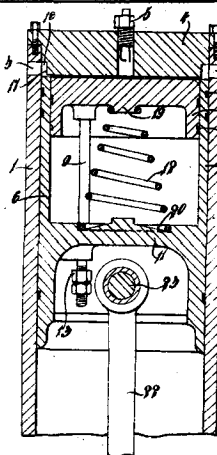
Water-pipe leak repairer. Filmour 28019.



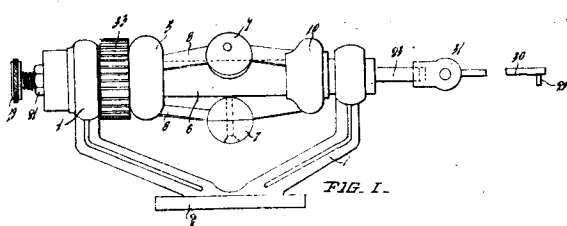
Boot gripper mechanism. United Shoe Machinery Co. (Mayo & La Chapelle). 28774.



Grinding etc machine. United Shoe Machinery Co. (Reed & Foley) 29075.



Internal combustion engine Hutchinson 29061



Sparking regulator. Hutchinson 29168

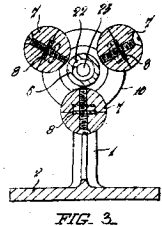
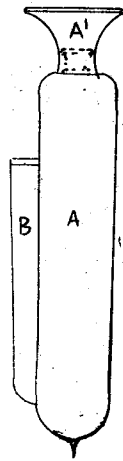
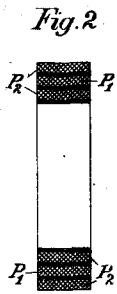
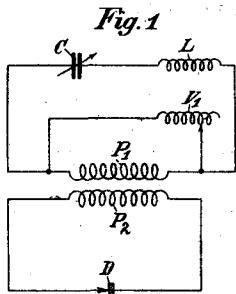
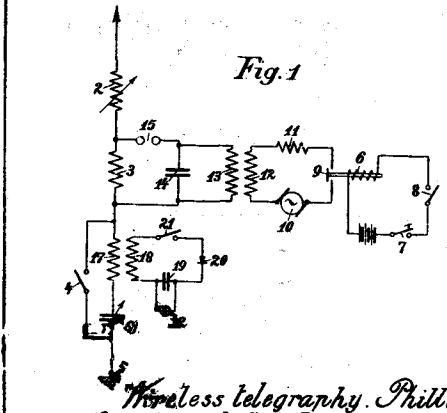


FIG. 3.

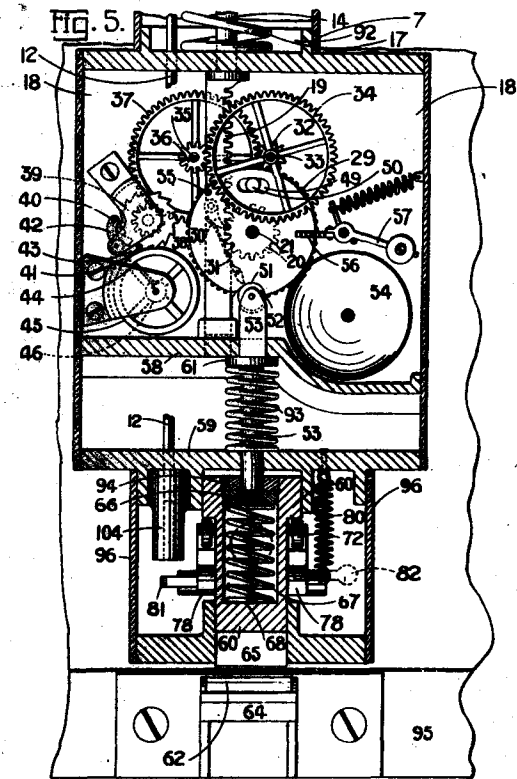
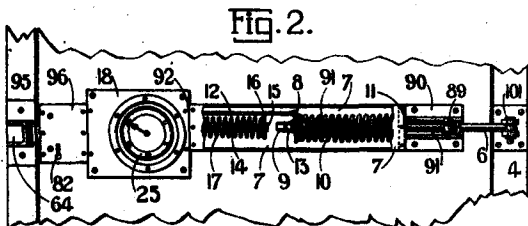


Wireless telegraphy.
Phillips (Gesellschaft für Drahtlose
Telegraphie, m. b. H. - Rendahl) 30256

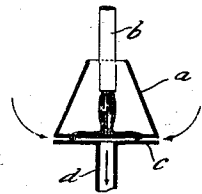
Hot water bag etc.
Munro. 30104.



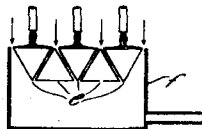
Wireless telegraphy. Phillips
(Gesellschaft für Drahtlose
Telegraphie m. b. H. - Leib & Frey) 30257



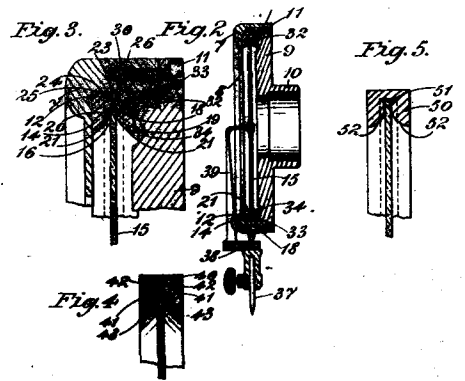
Lock. Reynolds. 30238.



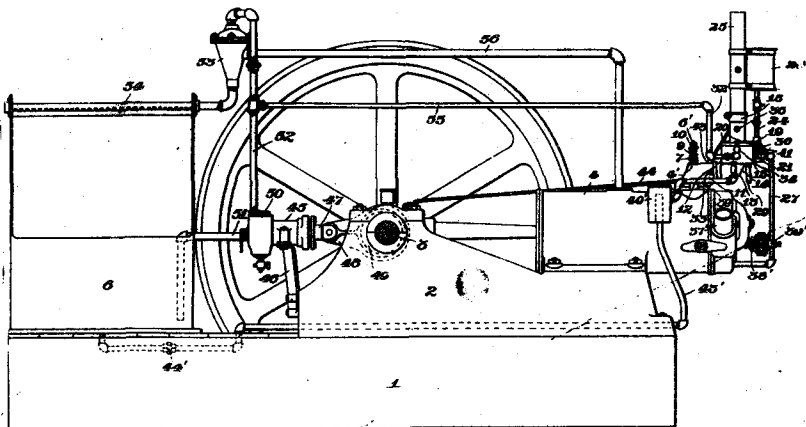
Oxides of nitrogen obtaining.
Phillips & Bullock. 30242.



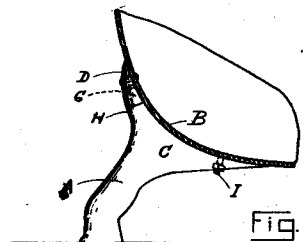
Oxides of nitrogen obtaining.
Phillips & Bullock. 30243



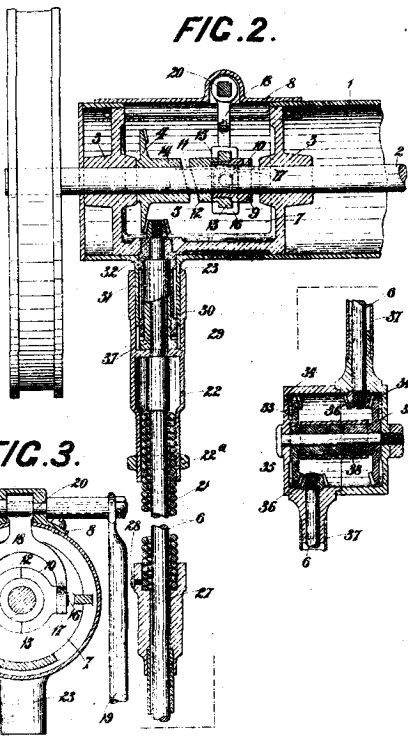
Talking machine. Diehl. 30264.



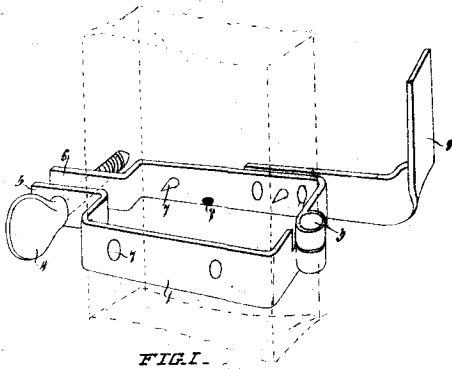
Internal combustion engine. International
Harvester Co. (Johnston & Longenecker) 30285.



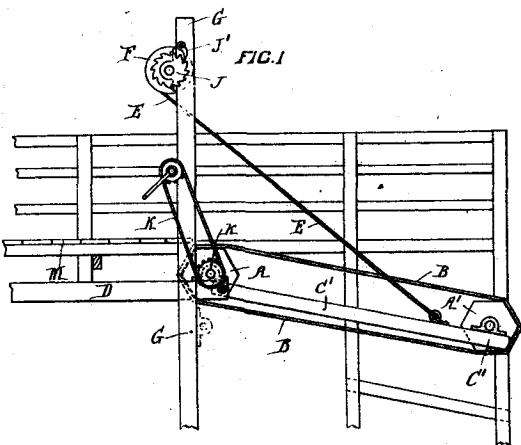
Bath leg. Hardley. 30329.



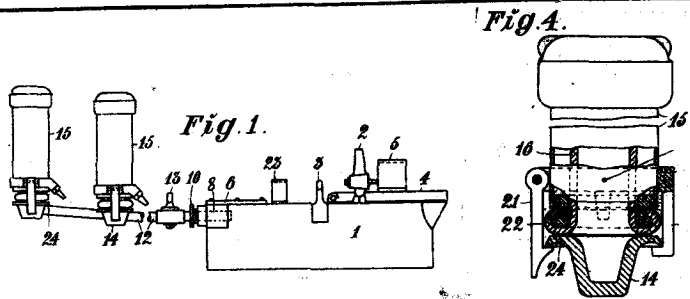
Sheep shearing machine driving gear. Falkiner (Boll) 30305.



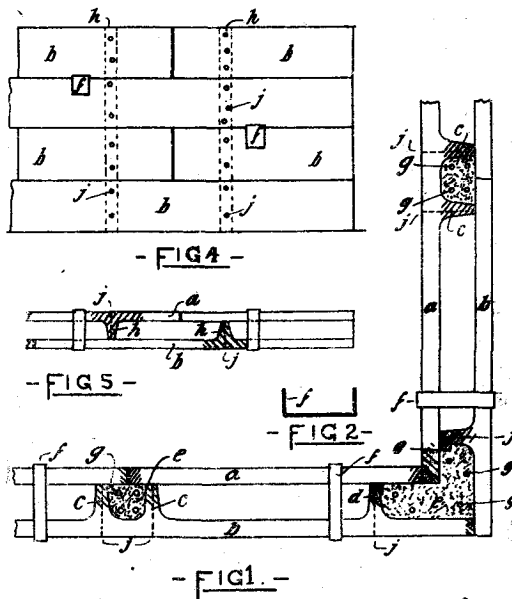
Scaffold bracket. Beagley & Angus. 30320.



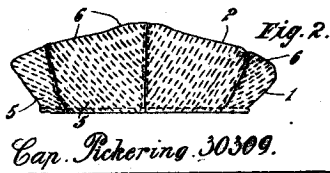
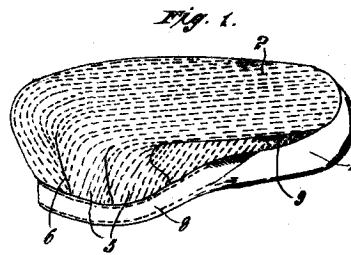
Sheep dip race. Cameron. 30337



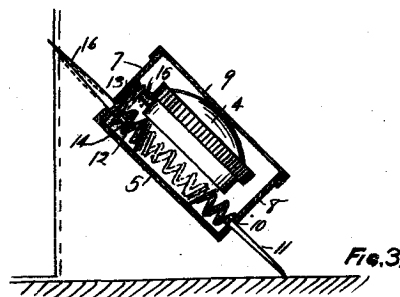
Milking machine. Lindström. 30348.



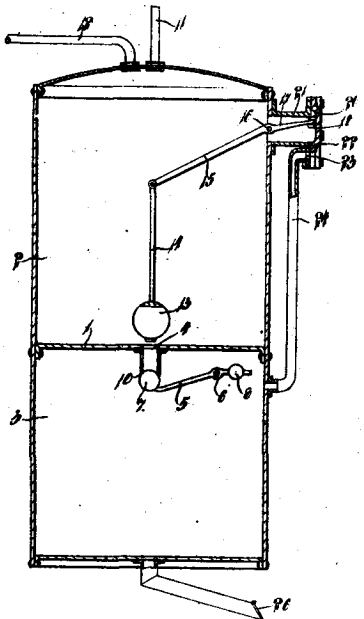
Building block. Dennis, Shepard & Watts. 30259.



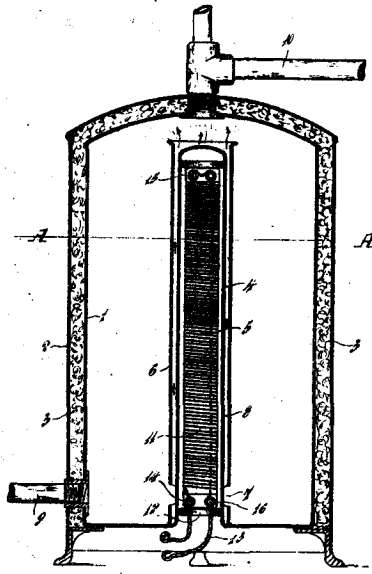
Cap. Pickering. 30309.



Door check & Alarm. Reimann. 30307.



Milking machine receiver &c
Armstrong 29427.



Water heater. Hainsworth. 29433

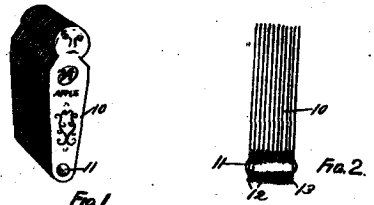


Fig. 1.
Educational appliance.
Edmonds. 29974

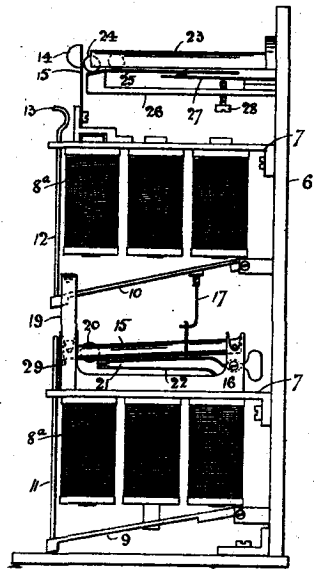
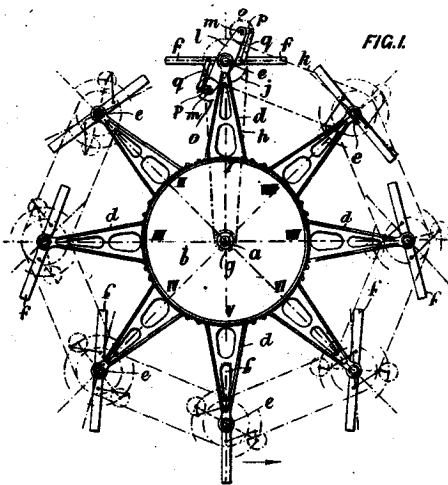
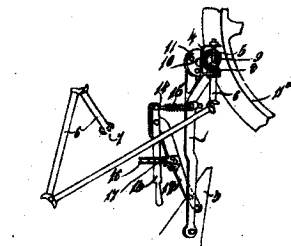


Fig. 1
Telephone call recorder.
Bridge. 30279.



Wind sail. Anderson. 30024.



Chaff cutter knife sharpener.
Scott. 30332.

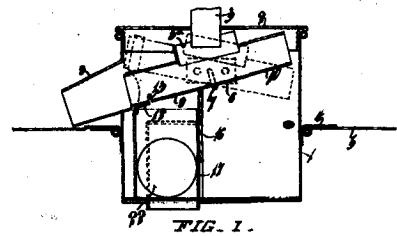
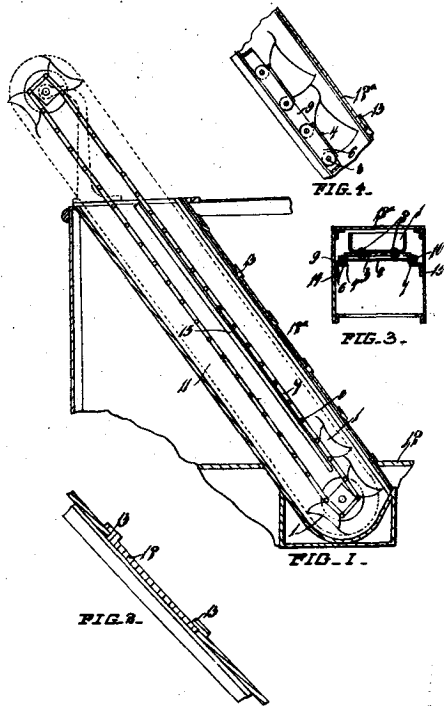


FIG. 1.
Rain water strainer, etc. Burridge. 30319.



Coal etc unloader. Noakes. 30116.

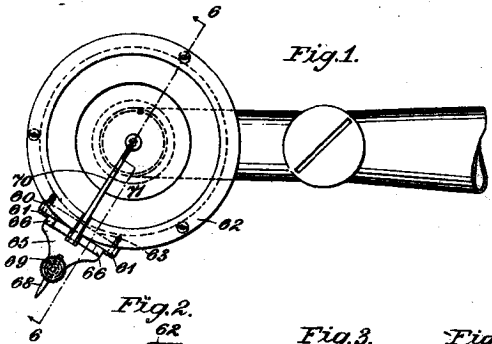


Fig. 1.

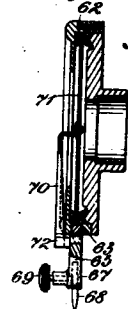


Fig. 2.

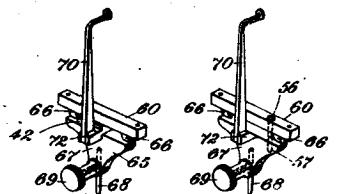


Fig. 3.

Fig. 3'.

Talking machine Diehl. 30263

APPLICANTS FOR LETTERS PATENT—*continued.*

Bartlett, S., Dunedin, New Zealand; periodical, &c., wrapper; 29860, 11th July; (79, 5th October).*

Barton, W. M., Wellington, New Zealand (see J. Burns Electro-plate Company, Limited, No. 30176).

Bastin, T., and another, Palmerston North, New Zealand; road-metal spreader; 28341, 26th August, 1910; (58, 13th July).

Bates, A., Leicester, England (see United Shoe Machinery Company, Nos. 28281, 28386, 29984).

Baugh (see de Baugh).

Bayley, C. S., Auckland, New Zealand; extension-crank; 30069, 21st August.

Baylis, G. H., Wellington, New Zealand; fencing-post; 29986, 8th August.

Beatson, J. W. G., Nelson, New Zealand; crate, 29942, 31st July; (75, 21st September).

Beck, G. V., Wellington, New Zealand; hanger-hook; 30280, 29th September; (91, 16th November).*

Beere, W. O., and another, Wellington, New Zealand; flax-dresser; 29807, 3rd July; (65, 10th August).*

Beers, A. J., East Brunswick, Victoria; moulding-means; 29855, 15th July, 1910†; (72, 7th September).

Bell, L., Melbourne, Victoria; dish-cleaner; 30171, 7th September; (88, 2nd November).*

Bell, R., Ballarat, Victoria; duster; 30071, 28th October, 1910.†

Bellingham, J., Wellington, New Zealand; building-block and mould; (T. J. Yourelle); 30131, 1st September.

Belle, J., and another, Dunedin, New Zealand; tram-track point; 28528, 3rd October, 1910; (75, 21st September).

Bennet, W., and another, Dunedin, New Zealand; pencil-sharpener; 30087, 24th August.

Bentley, P. A., Burton-on-Trent, England; clock; 29916, 13th August, 1910†; (79, 5th October).

Bertinshaw, G. J., and others, Wellington, New Zealand; post-office pillar-box; 29818, 5th July (72, 7th September).

Black, S., Waiuku, New Zealand; food-burning prevention; 30018, 11th August.

Blanch, M., and another, Worcester, United States America (see A. H. Smith, No. 30168).

Blaithwayt, M. W. P., Winton, New Zealand; toothache-cure; 30095, 25th August; (83, 19th October).*

Blissett, I. A., Rangitata, New Zealand; hatpin-protector; 29866, 13th July; (79, 5th October).*

Blythe, A. J. S., Te Awamutu, New Zealand; floor-polish; 29913, 24th July; (65, 10th August).

Booth, Macdonald, and Co., Limited, Christchurch, New Zealand; windmill-gearing; (C. G. Whitaker); 29826, 6th July; (62, 27th July).*

Boucher, F. J., Auburn, Victoria; flashlight mechanism; 29847, 19th September, 1910†; (72, 7th September).

Bower, S. M., Wanganui, New Zealand; milk-sampler; 29996, 9th August.

Bowick, R. C., Hunterville, New Zealand; railway-lifting, &c., bar; 30029, 15th August; (79, 5th October).*

Boyd, F. A., Perth, Western Australia; telephone-horn; 29269, 15th March; (65, 10th August).*

Brandon, C. W., Dunedin, New Zealand; transformer-switch; 30039, 14th August; (75, 21st September).*

Branigan, W. J., Hamilton, New Zealand; spouting-bracket; 29939, 28th July; (75, 21st September).*

Bransgrove, T., and others, New Plymouth, New Zealand; metal-extraction; 30063, 21st August; (79, 5th October).*

Bratby and Hinchlyffe, Limited, Manchester, England (see C. H. Worsley, No. 30245).

Bratt, C. E., London, England (see Swift-cut Timber, Limited, No. 30028).

Brennan, R., Christchurch, New Zealand; nutmeg-grater; 30114, 29th August; (91, 16th November).*

Brickell, R. W., and another, Dunedin, New Zealand; box; 29836, 7th July; (75, 21st September).

Bridge, E. H., Spotswood, Victoria; telephone-call recorder 30279, 28th September; (99, 1st December).

Bristow, C., Christchurch, New Zealand; sealing correspondence; 30134, 1st September; (91, 16th November).*

Bristow, C., Christchurch, New Zealand; dairy-recorder; 30173, 7th September; (88, 2nd November).*

British Drug Houses, Limited, London, England; suppository; (H. Brown); 30031, 14th August; (83, 19th October).

Broadbent, W., and another, Foxton, New Zealand; collapsible box, &c.; 29919, 25th July; (69, 24th August).*

Brock, M., Roxbury, United States America; heel-lasting machine; 28575, 16th October, 1909†; (75, 21st September).

Brockbank, J., Auckland, New Zealand; airship; 29937, 27th July; (69, 24th August).*

Bromwich, K. L., Paeroa, New Zealand; teapot, &c.; 29834, 7th July; (69, 24th August).

APPLICANTS FOR LETTERS PATENT—*continued.*

Bromwich, K. L., Paeroa, New Zealand; picture-hanger; 30273, 27th September; (91, 16th November).*

Bronner, A. F., and another, Melbourne, Victoria; variable-speed gear; 30124, 31st August; (88, 2nd November).

Brookes, M. J., Wellington, New Zealand; ticket and booking plan; 29857, 12th July; (75, 21st September).*

Brothers, E., Lynn, United States America (see United Shoe Machinery Company, No. 28625).

Brown, D., White Cliffs, New Zealand; tap; 30014, 12th August; (79, 5th October).*

Brown, F. J., Eltham, New Zealand; spanner; 30188, 11th September; (91, 16th November).*

Brown, H., Caterham Valley, England (see British Drug Houses, Limited, No. 30031).

Brown, J. H., Leicester, England (see United Shoe Machinery Company, No. 28281).

Brownjohn, B. J., Petersham, New South Wales; sash-windows; 29944, 1st August; (83, 19th October).*

Bulteel, J. G., and another, London, England; oxide of nitrogen; 30242, 26th November, 1910†; (99, 1st December).

Bulteel, J. G., and another, London, England; oxide of nitrogen; 30243, 20th February†; (99, 1st December).

Burke, J., and another, Sydney, New South Wales (see Wolsley Sheep-shearing Machine Company, Limited, No. 30110).

Burn, R., Petone, New Zealand; telegraph, &c., form folder; 27656, 25th May, 1910; (65, 10th August).

Burnett, F. T., and another (see Australian Wood Pipe Company, Limited, No. 30202).

Burns, J., Electro-plate Company, Limited, Wellington, New Zealand; manuscript-holder for typewriter, &c.; (W. M. Barton); 30176, 7th September.

Burridge, C., and another, Wairoa, New Zealand; filter; 29897, 21st July; (72, 7th September).*

Burrows, S., Wellington, New Zealand; gout, &c., cure; 29877, 26th September; (83, 19th October).*

Burt, A., Dunedin, New Zealand; pasteurizer, &c.; 30053, 17th August; (83, 19th October).*

Bush, A. F., Picton, New Zealand; concrete-mould clamp; 30193, 12th September; (91, 16th November).*

Butcher, H., Dunedin, New Zealand; mud-cart-lifting gear; 30146, 1st September; (91, 16th November).*

Butcher, J. H., and others, Stratford, New Zealand; spark-arrester; 30045, 18th August; (91, 16th November).*

Cairncross, J., and others, Eketahuna, New Zealand; roofing; 28454, 19th September, 1910; (65, 10th August).

Caldwell, R. W., and others, Papanui, New Zealand; can-soldering; 30027, 15th August; (79, 5th October).*

Callahan, R., West Warburton, Victoria (see H. C. Dix, No. 29973).

Calthrop, E. R., and another, London, England (see Vibrocet Company, Limited, No. 30137).

Cameron, E., St. Kilda, Victoria; milking-machine; 30122, 31st August; (88, 2nd November).

Cameron, J. M., Dunedin, New Zealand; window-hanging, &c.; 28524, 30th September, 1910; (75, 21st September).

Cantelin, W. C. R., Okaiawa, New Zealand; water-wheel; 29952, 2nd August; (75, 21st September).*

Capp, A. J., Elsternwick, Victoria (see E. Schultz, No. 30126).

Carr, J., Adelaide, South Australia; charcoal-burning case, &c.; 29812, 7th July, 1910†; (75, 21st September).

Carrington, G., Maraekakaho, New Zealand; wire-strainer; 28603, 18th October, 1910; (72, 7th September).

Carroll, L. H., and another, Geelong, Victoria; aeroplane; 29811, 4th July.

Carson, M. J., and another, Kaitangata, New Zealand; pencil-cutter, &c.; 29932, 24th July; (75, 21st September).

Casgrain, L. A., Beverly, United States America (see United Shoe Machinery Company, No. 28707).

Chalmers, S. D., and another, London, England; illuminating; 30195, 12th September.

Chapman, C., Dunedin, New Zealand; aeroplane; 30008, 9th August; (75, 21st September).*

Chenhall, J. W., Totnes, England; crucible furnace; 29191, 1st March; (69, 24th August).

Chennells, G. E., Hastings, New Zealand; curtain-suspender; 30215, 14th August; (88, 2nd November).*

Child, R. C., London, England; ink-manufacture; 29883, 18th July; (75, 21st September).

Chilton, E. J. (see Chilton Flusher Company, Limited, No. 29849).

Chilton Flusher Company, Limited, Auckland, New Zealand; closet-flush; (E. J. Chilton); 29849, 11th July.

Church, A. T., Invercargill, New Zealand; plough-attachment; 29940, 31st July; (79, 5th October).*

Clapham, J. N., Palmerston North, New Zealand; horse-holder; 29848, 11th July; (83, 19th October).

Clarke, E. M., Auckland, New Zealand; sewing-machine-needle threader; 29960, 2nd August; (75, 21st September).*

APPLICANTS FOR LETTERS PATENT—continued.

- Clarke, J. H., Broken Hill, New South Wales; elevator-bucket belt attaching; 30034, 13th September, 1910.†
- Clarke, T. C., Auckland, New Zealand; chair; 30044, 16th August.
- Claydon, G., and another, Woolston, New Zealand; flax-stripper; 30184, 11th September; (91, 16th November).
- Clayton, E. M., Manurewa, New Zealand; blight-cure; 9898, 21st July; (79, 5th October).
- Clayton, E. M., Manurewa, New Zealand; turning eggs in incubator; 29989, 9th August.
- Clemett A. D., and another, Foxton, New Zealand; collapsible box, &c.; 29919, 25th July; (69, 24th August).*
- Cluett, G. E., Palmerston North, New Zealand; fencing-standard, &c.; 30078, 28th August; (88, 2nd November).*
- Clyma, J. A. C., and another, Timaru, New Zealand; road-grading, &c.; 30278, 28th September.
- Cobbett, S. A., London, England; nitrous and nitric acid manufacture (J. Price); 29948, 1st August.
- Cochran, D. S., and another, Auckland, New Zealand; preventing ship's fittings from rolling; 30009, 10th August; (75, 21st September).*
- Coe, W. H., and another, Wellington, New Zealand; billy-can, &c.; 29831, 7th July; (62, 27th July).*
- Collett, J., Masterton, New Zealand; garden-cultivator; 30111, 29th August.
- Colligan, A., Westport, New Zealand; snatch-block; 29808, 3rd July; (62, 27th July).*
- Collins, G. E., Napier, New Zealand; chair-adjustment; 29212, 3rd March; (72, 7th September).*
- Connolly, J. J., Auckland, New Zealand; sling-hook; 30140, 2nd September.
- Coombe, J., Waitotara, New Zealand; punch-construction; 29964, 4th August; (75, 21st September).*
- Cooper, A., Palmerston North, New Zealand; rush or tussock knife; 29863, 13th July; (83, 19th October).*
- Cooze, C. J., Wellington, New Zealand; spouting-bracket; 29809, 3rd July; (62, 27th July).*
- Corlett, T., Timaru, New Zealand; cooking-range plate-rack; 29899, 18th July; (72, 7th September).*
- Cotterell, J. S., Manawaru, New Zealand; beehive; 30120, 29th August; (88, 2nd November).*
- Courlander, L., Croydon, England; eye-glass, &c., construction; 30152, 4th September; (88, 2nd November).
- Courtney, W. J., Christchurch, New Zealand; tire-cover; 30136, 31st August; (88, 2nd November).*
- Coutts, J., Dunedin, New Zealand; hose-coupling; 30061, 18th August; (91, 16th November).
- Craw, G., Linton, New Zealand; flax-stripper; 28245, 12th August, 1910; (69, 24th August).
- Crosfield, J., and Sons, Limited, Warrington, England (see E. N. Waters, No. 30050).
- Crosher, A. T., Te Aroha, New Zealand; connecting electric wires to lamp-holders; 28594, 14th October, 1910; (72, 7th September).
- Current Motor Company, Tacoma, United States America; current-motor; (C. A. Barron); 29869, 14th July; (72, 7th September).
- Cuthbert, E. M., and another, Gisborne, New Zealand; drain-trap protector; 29850, 11th July; (65, 10th August).*
- Daikee, H. G., Picton, New Zealand; noxious-weed eradicator; 29875, 17th July; (79, 5th October).*
- Daikee, H. G., Picton, New Zealand; box, &c., binder; 29893, 20th July; (75, 21st September).*
- Dall, W., Dunedin, New Zealand; fence-dropper; 30244, 20th September; (88, 2nd November).*
- Dalley, M., Auckland, New Zealand; shirt; 30080, 22nd August.
- Daniels, H. J., Albert Park, Victoria; potato-harvester; 30077, 12th September, 1910.†
- Davies, G. F. F., and others, Camberwell, Victoria; steam-generator; 30123, 31st August; (79, 5th October).*
- Dawson, J., Hukarui, New Zealand; suspension bridge; 28662, 2nd November, 1910; (75, 21st September).
- Day, H. L., Christchurch, New Zealand; article-displayer; 28425, 13th September, 1910; (65, 10th August).
- De Baugh, W. E. H., Auckland, New Zealand; scaffold-bracket; 30115, 30th August; (83, 19th October).
- De Montalk, J. S., Hamilton, New Zealand; hanger-hook; 29827, 6th July; (75, 21st September).
- Dennis, H., and others, Adelaide, South Australia; building-block, &c.; 30259, 27th September; (99, 1st December).
- Denniss, J., and another, Canterbury, New South Wales; vacuum chamber; 30209, 13th September; (91, 16th November).
- Deschamps, J. M., and another, Brisbane, Queensland; charcoal-burner; 30127, 14th March.†

APPLICANTS FOR LETTERS PATENT—continued.

- Deumer, E. A., and others, Richmond, Victoria; vehicle-forecarriage; (E. A. Deumer, K. F. Muller, and J. C. Grubb); 29982, 8th August; (79, 5th October).
- Diehl, A. C., Camden, United States America; talking-machine; 30263, 27th September; (99, 1st December).
- Diehl, A. C., Camden, United States America; talking-machine; 30264, 27th September; (99, 1st December).
- Diprose, J., and another, Devonport, New Zealand; hygienic belt; 30177, 7th September; (91, 16th November).*
- Diprose, T., and another, Devonport, New Zealand; hygienic belt; 30177; 7th September; (91, 16th November).*
- Dix, H. C., Melbourne, Victoria; gate; (R. Callahan); 29973, 4th August; (72, 7th September).*
- Dixon, J., Prahran, Victoria; liquid-aerator; (Soda Stream Limited); 30148, 1st September.
- Domestic Vacuum Cleaner Company, Massachusetts, United States America (see A. H. Smith, No. 30168).
- Dominion Pressure Milking Machine Company, Limited; milking-machine; (R. A. Wiggins); 27913, 17th June, 1910; (75, 21st September).
- Donehue, A., Narrawong, Victoria; forest-devil; 30239, 21st September; (88, 2nd November).*
- Donges, J., Drayton, Queensland; screening-mechanism; 30260, 27th September.
- Douglas, R., Woodstock West, Victoria; scarifier point and clip; 29930, 27th July; (75, 21st September).
- Downey, L. E., and another, Geelong, Victoria; clothes-hoist; 29950, 1st August; (75, 21st September).*
- Downing, H. W., Christchurch, New Zealand; polo-club; 30105, 28th August; (88, 2nd November).*
- Downing, H. W., Christchurch, New Zealand; saddle; 30226, 19th September; (91, 16th November).
- Droutlege, H., Auckland, New Zealand (see Eureka Milking Machine Company, Limited, No. 29904).
- Edgar, H., Waihi, New Zealand; lock; 30019, 11th August; (75, 21st September).*
- Edlin, T. W., Christchurch, New Zealand; non-refillable bottle; 30101, 25th August.
- Edmonds, G. R., Ashfield, New South Wales; educational appliance; 29974, 19th October, 1910; (99, 1st December).
- Eggleton, W., Bunmythorpe, New Zealand; scutcher; 29872, 15th July; (79, 5th October).*
- Emerson, V. H., New York, United States America (see American Graphophone Company, No. 30041).
- Eureka Clock Company, Limited, and another, London, England; clock; 29882, 24th February, 1911; (72, 7th September).
- Eureka Milking Machine Company, Limited, Auckland, New Zealand; teat-cup; (H. Droutlege); 29904, 22nd July; (83, 19th October).
- Eustege, T. P., Wellington, New Zealand; liquid-heater, &c.; 30271, 3rd October; (91, 16th November).*
- Evans, J. T., and another, Gisborne, New Zealand; oil-fuel utilizing; 30068, 22nd August; (79, 5th October).*
- Evans, L. H., and another, Melbourne, Victoria; ruler; 29943, 1st August.
- Everton, E. T., Birmingham, England; steam cooker; 29844, 11th July; (75, 21st September).
- Ewbank, W. W., Melbourne, Victoria; oil-obtaining from peat, &c.; 30261, 27th September; (91, 16th November).*
- Fairburn, A., Parnell, New Zealand; fireless cooker; 30200, 11th September; (83, 19th October).
- Falkinder, J. C., Takapau, New Zealand; non-refillable bottle; 30155, 4th September; (91, 16th November).
- Farrelly, R. G., Paeroa, New Zealand; tail-holder; 29966, 5th August; (79, 5th October).
- Fawcett, H. J., Elsternwick, Victoria (see Lamson Store Service Company, Limited, No. 29854).
- Fear, A., and another, Hastings, New Zealand; closet-flush; 30178; 7th September.
- Fear, F. J. W., Wellington, New Zealand; scissors, &c.; 28950, 5th January; (69, 24th August).
- Fear, J., and another, Hastings, New Zealand; closet-flush; 30178, 7th September; (91, 16th November).*
- Fellows, G. R., Onehunga, New Zealand; gold-obtaining from sand; 30117, 30th August; (79, 5th October).*
- Fellows, G. R., Onehunga, New Zealand; metal-protecting from rust; 30164, 6th September; (88, 2nd November).*
- Fellowes, I., and another, Auckland, New Zealand; cork, &c., receiver; 29815, 1st July; (62, 27th July).*
- Ferry, J. C., Leichhardt, New South Wales; hip pocket; 30266, 27th September.
- Fibbes, A., and another, Timaru, New Zealand; road-grading, &c.; 30278, 28th September; (91, 16th November).*
- Fiddy, F. C. P., and another, Gisborne, New Zealand; drain-trap protector; 29850, 11th July; (65, 10th August).*

APPLICANTS FOR LETTERS PATENT—*continued.*

Fidler, W. L., and another, Gordon, New South Wales; vacuum chamber; 30209, 13th September.

Fischbach, P., Gisborne, New Zealand; rowing-seat; 30247 16th September.

Fitzsimons, T. F., Sydney, New South Wales; liquid-discharge valve, &c.; 29856, 26th August, 1910†; (72, 7th September).

Forbes, V. B., and another, Devonport, New Zealand; peg-top, &c.; 29998, 7th August.

Ford, A. S., Coromandel, New Zealand; benzine-gas generator; 29997, 10th August; (79, 5th October).*

Foster, T., Christchurch, New Zealand; loose-leaf-book cover; 29908, 22nd July; (75, 21st September).*

Foster, T., Christchurch, New Zealand; variable gear; 30038, 15th August; (83, 19th October).*

Fowler, W. T., Te Rou, New Zealand; reaper; 29885, 18th July; (65, 10th August).*

Fraser, J. H., Youanite, Victoria; cultivator; 29891, 20th July; (75, 21st September).

Fredric, J. W. H., and others, Stratford, New Zealand; spark-arrester; 30045, 18th August; (91, 16th November).*

Frey, A., and another, Nounendamm, Germany (see E. Phillips, No. 30257).

Fry, H. A., Umukuri, New Zealand; acetylene-generator; 30083, 24th August; (83, 19th October).

Fulljames, S. V., Whangarei, New Zealand; milk, &c., strainer; 30119, 23rd August; (88, 2nd November).*

Fulyerd, G. R., Christchurch, New Zealand; egg-substitute; 30267, 26th September; (91, 16th November).*

Gale, J., Geraldine, New Zealand; sewing-machine; 30221, 16th September; (88, 2nd November).*

Gardner, H. B., and another, Gisborne, New Zealand; intercepting-trap; 30248, 20th September; (88, 2nd November).*

Garrett, E. J., Kaikoura, New Zealand; brush-attachment; 29951, 2nd August.

Garrett, E. J., Kaikoura, New Zealand; branding-machine; 30012, 12th August; (79, 5th October).*

Gaut, J., and another, Leichhardt, New South Wales; totalizer; 29956, 20th September, 1910†; (79, 5th October).

Geary, A. H., and another, Huntly, New Zealand; fencing-post; 30141, 2nd September.

Geddes, F., Waihao Downs, New Zealand; vessel steerer and propeller; 30189, 9th September; (88, 2nd November).*

Gesellschaft für Drahtlose Telegraphie m.b.H., Berlin, Germany (see E. Phillips, Nos. 30256 and 30257).

Gibbs, A. J., Auckland, New Zealand; button; 30132, 30th August; (88, 2nd November).*

Gibbs, G., Motueka, New Zealand; beer, &c., cooler; 28164, 28th July, 1910; (65, 10th August).

Gilberthorpe, G. L., and another, Chatswood, New South Wales; sliding gate and barrier; 30208, 13th September.

Gillies, D. M., Wellington, New Zealand; packing-ring; 30086, 25th August; (88, 2nd November).*

Glanville, L., Southbridge, New Zealand; oil-feeder; 30107, 28th August; (88, 2nd November).*

Goddu, G., Winchester, United States America (see United Shoe Machinery Company, No. 28710).

Goehler, M., Vancouver, Canada; power-operated saw; 30160, 6th September; (91, 16th November).

Goldsworthy, E., and another, Paeroa, New Zealand; barrow-wheel; 29871, 13th July; (72, 7th September).*

Good, H., Whangarei, New Zealand; gold-saving appliance; 30153, 4th September; (88, 2nd November).*

Goodall, T., Christchurch, New Zealand; balance-guard rail for car; 30265, 26th September; (91, 16th November).*

Gossling, P. J., Wellington, New Zealand; document-file; 30084, 24th August; (88, 2nd November).*

Gossling, P. J., Wellington, New Zealand; advertising-method; 30277, 29th September; (99, 1st December).

Goulet, A. O., Auckland, New Zealand; peanut-roaster; 28500, 28th September, 1910; (72, 7th September)*; 72, 7th September).

Gow, G. D., Auckland, New Zealand; spark-arrester; 30179, 6th September; (88, 2nd November).*

Gowdy, E. W., Tangiwai, New Zealand; fencing-dropper; 30094, 25th August; (88, 2nd November).*

Graham, A. I., and another, Wellington, New Zealand; electrical-energy controlling, &c.; 30032, 16th August; (75, 21st September).*

Grace, T., and another, Sydney, New South Wales; resilient wheel for vehicle; 30125, 31st August; (88, 2nd November).

Graff, F., Witten, Germany; dividing cheese, &c., into pieces of predetermined weight; 30175, 7th September; (88, 2nd November).*

Grainger, A. M., Ashburton, New Zealand; boot frame or protector; 28732, 12th November, 1910; (72, 7th September).

APPLICANTS FOR LETTERS PATENT—*continued.*

Green, A. E., Timaru, New Zealand; trouser-stretcher; 29907, 22nd July; (69, 24th August).*

Green, C. A., Sydney, New South Wales; overhead electrical trolley-line ear; 30206, 13th September; (91, 16th November).

Green, C. A., and another, Sydney, New South Wales; machine for packing tea; 30205, 13th September.

Greig, H., Foxton, New Zealand; flax-stripper; 30154, 4th September; (91, 16th November).

Griffin, P. J., Wellington, New Zealand; benzoline-tank for motor-bicycle; 30051, 18th August; (83, 19th October).*

Griffin, P. J., and another, Wellington, New Zealand; billy-can; 29831, 7th July; (62, 27th July).*

Grigg, F. W., Auckland, New Zealand; wool-fat extracting; 30276, 29th September; (91, 16th November).*

Grob, H., Zurich, Switzerland; electric-tension regulation; 29949, 1st August; (79, 5th October).

Grosser, P. A., Magnet, Tasmania; chute cut-off; 30182, 7th September; (91, 16th November).

Grubb, J. C., South Northcote, Victoria (see E. A. Deumer, K. F. Muller, and A. Whybrow, No. 29982).

Gurr, T. S., and another, Dunedin, New Zealand; Life-belt, &c.; 29859, 11th July; (72, 7th September).*

Hahn, R. M., London, England; corset, &c., fastening; 29810, 1st November, 1910†; (69, 24th August).

Hamilton, W. L., Glasgow, Scotland; aerial railway; 28965, 13th January, 1910†; (58, 13th July).

Hamilin, E. A. G., Napier, New Zealand; railway danger-signal fence; 29858, 12th July; (69, 24th August).*

Hamon, W. J., Gisborne, New Zealand; water-soundings making and registering; 30090, 22nd August; (83, 19th October).*

Hardie, E. B., and another, Wangaloa, New Zealand; pencil outter and sharpener; 29932, 24th July; (75, 21st September).

Harding, W. E., and another, Davyhurst, Western Australia; chuck for rock-drill; 29945, 1st August; (83, 19th October).

Hardley, C. E., Auckland, New Zealand; gas, &c., tap; 28784, 24th November, 1910; (65, 10th August).

Harris, P. L., Sydney, New South Wales; advertising soap-tablet, and machine and ink therefor; 30128, 31st August; (88, 2nd November).*

Harrison, H., Christchurch, New Zealand; cooking-range; 29825, 5th July; (69, 24th August).*

Harrison, W. H., Otamoa, New Zealand; weed-destroyer; 29835, 7th July; (72, 7th September).

Hart, W., and another, Brisbane, Queensland; retort for burning charcoal, &c.; 30127, 14th March.†

Hartmann, S., Melbourne, Victoria; churn and butter-worker; 29928, 27th July; (75, 21st September).

Harvey, N., and another, Wellington, New Zealand; electrical-energy controlling, &c.; 30032, 16th August; (75, 21st September).*

Hassall, W., Christchurch, New Zealand; sewing up wool-bale after being cut open for sale; 30219, 14th September; (88, 2nd November).*

Haswell, J. A., and others, Eketahuna, New Zealand; roofing; 28454, 19th September, 1910; (65, 10th August).

Haswell, W. H., Auckland, New Zealand; hatpin-protector; 29879, 15th July.

Hawkes, J. H., Timaru, New Zealand; reclosing cut-open sacks, &c.; 30270, 27th September; (88, 2nd November).*

Haydon, G. A., Auckland, New Zealand; lock-nut; 29994, 9th August.

Hayes, E., Oturehua, New Zealand; wire-strainer; 30062, 21st August; (83, 19th October).*

Hayes, E., Oturehua, New Zealand; gate-hinge; 30091, 25th August; (88, 2nd November).*

Hayman, J. E., Studholme Junction, New Zealand; rotary wind-screen; 30218, 9th September; (91, 16th November).*

Hebley, F. R., and another, Greytown, New Zealand; needle-plate honeycomb-perforator; 30234, 20th September; (88, 2nd November).*

Hele-Shaw, H. S., and another, London, England; hydraulic transmission apparatus; 30213, 14th September; (91, 16th November).

Hellyer R., and another, Sydney, New South Wales; water-sprayer; 28508, 28th September, 1910; (65, 10th August).

Henderson, W. E., Dunedin, New Zealand; cooking-basket; 30081, 22nd August; (88, 2nd November).*

Henderson, W. V., and another, Church Hill, England; petrol-gas generator; 29925, 22nd July; (75, 21st September).

Henry, J., Annat, New Zealand; scoop; 30216, 13th September; (91, 16th November).*

Hens, K., Johannesburg, Transvaal; meat-preservation; 29931, 27th July; (88, 2nd November).

APPLICANTS FOR LETTERS PATENT—*continued.*

Hicks, W., and another, Auckland, New Zealand; rubber boot-heel securing; 29876, 17th July; (76, 5th October).*

Hill, A., and another; Christchurch, New Zealand; tree-felling; 30013, 12th August; (83, 19th October).*

Hill, J. A., Sheffield, England; furnace; 29843, 11th July; (72, 7th September).

Hill, J. A., Sheffield, England; preventing ejection of sparks from locomotive; (E. F. S. Notter); 30185, 11th September.

Hill, R. P., Auckland, New Zealand; water-pipe cleaner; 29156, 20th February; (65, 10th August).*

Hinds, H. H., Sydney, New South Wales; kapoc scutcher and cleaner; (J. F. Wilson); 29957, 2nd August; (75, 21st September).*

Hoar, A. G., and others, Eketahuna, New Zealand; roofing; 28454, 19th September, 1910; (65, 10th August).

Hoare, H., and another, Gisborne, New Zealand; utilization of oil fuel; 30068, 22nd August; (79, 5th October).*

Hobbs, R. J., and another, Dunedin, New Zealand; life-belt, &c.; 29859, 11th July; (72, 7th September).*

Holmes, G. G., jun., Pigeon Bay, New Zealand; knife-cleaner; 30254, 22nd September.

Hopkins, J. T., Petone, New Zealand; stop-cock; 29873, 15th July; (72, 7th September)*; (79, 5th October).

Hopkirk, J., Hawera, New Zealand; curd, &c., agitating-apparatus driving-gear; 28605, 19th October, 1910; (72, 7th September).

Horton, A., and another, Timatanga, New Zealand; nail, &c., handling device; 30036, 16th August.

Horton, A., Timatanga, New Zealand; floor, ceiling, &c., cramp; 30139, 2nd September; (91, 16th November).*

Hosegood, G. (see Asbestos Sheet and Plaster Company Proprietary, Limited, No. 30150).

Howell, J., Waipiatā, New Zealand; wire or rope tightener; 29906, 20th July.

Humphries, F., and another, Granity, New Zealand; axle-lubricator; 28387, 6th September, 1910; (72, 7th September).

Hunter, G. M., Waimea West, New Zealand; wire-strainer; 30030, 14th August.

Hunter, J., and another, Davyhurst, Western Australia; chuck for rock-drill; 29945, 1st August; (83, 19th October).

HursthousE, E. W., Wellington, New Zealand; vacuum cleaner; 30249, 23rd September; (91, 16th November).

Hutcheson, J., and others, Wellington, New Zealand; post-office pillar-box; 29818, 5th July; (72, 7th September).

Hutchinson, G. W., Walton, New Zealand; plough steering and adjusting apparatus; 30046, 18th August; (83, 19th October).*

Hutchinson, G. W., Walton, New Zealand; plough-lever; 30047; 18th August; (83, 19th October).*

Hutchinson, J. H., Auckland, New Zealand; vehicle-forecarriage; 29968, 3rd August.

Hynes, J. R., and another, Foxton, New Zealand; tell-tale alarm for hot bearings; 30167, 30th August.

Innes, W. R. D., South Melbourne, Victoria; railway-sleeper; 30035, 16th August.

International Harvester Company, Chicago, United States America; internal-combustion engine; (E. A. Johnston and C. I. Longenecker); 30285, 29th September; (99, 1st December).

Jakeman, W. D., and another, Huntly, New Zealand; fencing-post; 30141, 2nd September.

James, A., Feilding, New Zealand; totalizator; 28158, 27th July, 1910; (65, 10th August).

James, W. G., Stratford, New Zealand; cigarette-holder; 30246, 22nd September; (91, 16th November).

Jamieson, W. M., Onehunga, New Zealand; steam-valve; 30162, 6th September; (88, 2nd November).*

Jensen, F., Copenhagen, Denmark; ship-propelling by suction and pressure; 30021, 11th August; (79, 5th October).

Jermyn, W., Shannon, New Zealand; lid-securing on milk-can, &c.; 30065, 21st August; (91, 16th November).*

Johns, H., Christchurch, New Zealand; boot-polisher; 30145, 2nd September; (88, 2nd November).*

Johns, T. G., and another, Gisborne, New Zealand; variable-speed gear; 29970, 31st July; (75, 21st September).*

Johnsen, J. A., Copenhagen, Denmark; micro-movement producing; 29845, 11th July; (72, 7th September).

Johnson, F., and another, Warkworth, New Zealand; saw; 29894, 20th July; (72, 7th September).*

Johnston, E. A., and another, Chicago, United States America (see International Harvester Company, No. 30285).

Jones, J. F., and another, Wairoa, New Zealand; filter; 29897, 21st July; (72, 7th September).*

Jones, J. R., Gisborne, New Zealand; tumbler-switch for meat-rail, &c.; 30026, 9th September; (79, 5th October).*

APPLICANTS FOR LETTERS PATENT—*continued.*

Jones, J. R., Gisborne, New Zealand; wool, &c., washing-machine; 30098, 26th August; (83, 19th October).*

Jorgensen, A. G., Wellington, New Zealand; hatpin-point protector; 30037, 16th August; (75, 21st September).*

Jorgensen, A. G., Wellington, New Zealand; hatpin-point protector; 30073, 23rd August; (75, 21st September).*

Jorgensen, A. G., and another, Wellington, New Zealand; non-refillable bottle, &c.; 30236, 20th September; (88, 2nd November).*

Jorgensen, V. A., and another, Wellington, New Zealand; non-refillable bottle, &c.; 30236, 20th September; (88, 2nd November).*

Joseph, L., Sydney, New South Wales; bedstead; 30183, 13th September, 1910.†

Joyce, A. J., Nelson, New Zealand; chimney-flue; (D. Panckhurst); 30133, 1st September; (88, 2nd November).*

Joyce, J. J., Sydney, New South Wales; damp-proof bag; 30258, 27th September.

Kahn, M., London, England; shoe for concrete pile; 30194, 30th September, 1910.†; (91, 16th November).

Kee, E. J., Waikaka, New Zealand; swingletree; 29921, 24th July; (75, 21st September).*

Keen, C. E., Masterton, New Zealand; water-closet disinfecting; 29802, 1st July; (83, 19th October).

Keen, C. E., Masterton, New Zealand; preventing mice entering pianos; 29803, 1st July.

Keesing, H. M., Auckland; incandescent-mantle toughener; 29851, 10th July.

Kensington, H., Christchurch, New Zealand; bread-toaster; 29813, 3rd July.

Kerby, F., Sydney, New South Wales; belt-fastener; 30207, 13th September, 1910.†

Killen, E. B., London, England; pneumatic spring stud for vehicle; 30067, 22nd August.

King, G. E., Auckland, New Zealand; steam-boiler wet back; 29965, 5th August; (79, 5th October).

King, W. S., and another, Cambridge, New Zealand; rubber-pad securing to boot-heel; 29876, 17th July; (79, 5th October).*

Kirkwood, E. M., Wanganui, New Zealand; whip-attachment; 29801, 1st July; (65, 10th August).*

Kirkwood, J. C. P., Wellington, New Zealand; regulating heat of gas-heated apparatus; 30106, 28th August.

Kirkwood, J. C. P., Wellington, New Zealand; electrical cooker; 30163, 6th September; (91, 16th November).

Lambert, J. A., and another, Timatanga, New Zealand; nail, &c., handling device; 30036, 16th August.

Lambert, W. H., Orepuki, New Zealand; clothes-peg; 29889, 17th July; (72, 7th September).*

Lamson Store Service Company, Limited, London, England, and Sydney, New South Wales; cash-carrier, &c.; (H. J. Fawcett); 29854, 12th July; (75, 21st September).

London, J. M., London, England; sound-amplifier; 28264, 16th August, 1910; (62, 27th July).

Lang, R., Geraldine, New Zealand; knife-cleaner; 30230, 20th September; (88, 2nd November).*

Langdon, J. W., St. Albans, New Zealand; can-solderer; 30027, 15th August; (79, 5th October).*

Larcomb, E., Wellington, New Zealand; Pneumatic-tire cover; 29988, 8th August; (72, 7th September).*

Lee, D. H., Westmere, New Zealand; knife; 29935, 28th July; (72, 7th September).*

Lecoche, J., London, England; electric motor; 28697, 8th November, 1910; (72, 7th September).

Leib, A., and another, Berlin, Germany (see E. Phillips, No. 30257).

Leith, H., Auckland, New Zealand; wash-strainer; 29911, 24th July.

Leitz, W. F., Gisborne, New Zealand; carburettor; 30223, 18th September; (88, 2nd November).*

Levien, N. B., Auckland, New Zealand; door, &c., latch; 30007, 11th August; (75, 21st September).*

Levinge, H. M., Okato, New Zealand; locating wreck, &c.; 29987, 8th August; (83, 19th October).*

Lewis, W. W., London, England (see J. A. Puttfarcken, No. 30072).

Little, D., Christchurch, New Zealand; castrating-appliance; 30017, 12th August; (75, 21st September).*

Livingston, G., Christchurch, New Zealand; sales-recorder; 30143, 1st September; (99, 1st December).*

Lloyd, A. G., Elsternwick, Victoria; milking-apparatus; 30172, 7th September; (88, 2nd November).*

Longenecker, C. I., and another, Chicago, United States America (see International Harvester Company, No. 30285).

Louudar, G. F., and others, Sydney, New South Wales; movable-shelf bracket; 30204, 13th September; (91, 16th November).

APPLICANTS FOR LETTERS PATENT—*continued.*

Loundar, M. F., and others, Sydney, New South Wales; movable-shelf bracket; 30204, 13th September; (91, 16th November).

Loundar, W. F., and others, Sydney, New South Wales; movable-shelf bracket; 30204, 13th September; (91, 16th November).

Lowman, A. G. E., Winnipeg, Canada; ear-plate; 29910, 21st July; (75, 21st September).

Lumbye, W. P., and another, Nelson, New Zealand; fire-lighter; 29864, 13th July; (75, 21st September).*

Lunn, J., Dunedin, New Zealand; gasometer-foundation; 30294, 30th September; (88, 2nd November).*

Lynde, F. G., and another, Knebworth, England (see Vibrocel Company, Limited, No. 30137).

Macalister, J., Invercargill, New Zealand; tip-wagon; 29839, 7th July; (69, 24th August).*

McArthur, C., and others, Wellington, New Zealand; post-office pillar-box; 29818, 5th July; (72, 7th September).

McCarty, J., Palmerston North, New Zealand; road-metal spreader; 28341, 26th August, 1910; (58, 13th July).

McCay, C. E., Essendon, Victoria; cargo, &c., raising, &c.; 30211, 13th September; (91, 16th November).

McDermott, P., and others, Drysdale, Victoria; plough share and point; 29929, 27th July; (72, 7th September).*

McDermott, P. P., and others, Drysdale, Victoria; plough share and point; 29929, 27th July; (72, 7th September).*

McDermott, T., and others, Drysdale, Victoria; plough share and point; 29929, 27th July; (72, 7th September).*

McDonald, A. G., and another (see Australian Wood Pipe Company, Limited, No. 30202).

McFarlane, T. J., and another, Warkworth, New Zealand; saw; 29894, 20th July; (72, 7th September).*

McFeely, R. F., Beverly, United States America (see United Shoe Machinery Company, No. 28431).

McIlvenna, J., Ontario, Canada; marine-engine governor; 29909, 21st July; (88, 2nd November).

McKenzie, G. W., Caroline, New Zealand; castrating-tool; 28336, 25th August, 1910; (65, 10th August).

McKenzie and Holland, Limited, and others, London, England; locking-mechanism; 29918, 25th July; (75, 21st September).

Mackenzie-Normanby, A., Waimate, New Zealand; vehicle-brake; 30180, 7th September.

Mackinney, V. H., and another, London, England; illuminating; 30195, 12th September.

McLachlan, J., Wellington, New Zealand; corkscrew sprinkler; 29963, 4th August.

McLean, L., Boona West, New South Wales; insecticide; 29888, 15th September, 1910†; (75, 21st September).

MacLennan, K. G., Auckland, New Zealand; dish washing and drying machine; 30158, 5th September; (88, 2nd November).*

McLeod, A., Auckland, New Zealand; oil, &c., lamp; 29882, 7th July; (75, 21st September).

McLuckie, I. L., Auckland, New Zealand; pneumatic tire; 30057, 17th August; (79, 5th October).*

McNeil, H. J., Auckland, New Zealand; billiard-game; 29865, 12th July.

McPhail, A. G., Invercargill, New Zealand; mounting and dismounting attachment to riding-saddle; 30181, 5th September; (88, 2nd November).*

Macpherson, J., Auckland, New Zealand; acetylene, &c., gas-generator; 29980, 5th August.

McRae, W., Hedgehope, New Zealand; plough; 28366, 31st August, 1910; (69, 24th August*; 69, 24th August).

Maddox, H. N., and another, Wellington, New Zealand; hatpin; 29954, 2nd August.

Maddox, H. N., and another, Wellington, New Zealand; electric fire-alarm; 29995, 9th August.

Maddox, H. N., and another, Wellington, New Zealand; axe-head-fastener; 30000, 10th August; (79, 5th October).*

Maddox, H. N., and another, Wellington, New Zealand; tongs; 30001, 10th August; (75, 21st September).*

Maddox, H. N., and another, Wellington, New Zealand; broom-handle attaching to broom-head; 30002, 10th August.

Maddox, H. N., and another, Wellington, New Zealand; electrical cooking; 30156, 5th September.

Maddox, H. N., and another, Wellington, New Zealand; propulsion-lever for invalid chair and cycle; 30169, 7th September; (88, 2nd November).*

Maddren, C., and others, Christchurch, New Zealand; drying flax-fibre, &c.; 30054, 18th August.

Maddren, J., and others, Christchurch, New Zealand; drying flax-fibre, &c.; 30054, 18th August.

Maddren, R., and others, Christchurch, New Zealand; drying flax-fibre, &c.; 30054, 18th August.

APPLICANTS FOR LETTERS PATENT—*continued.*

Maddren, S. H., and others, Christchurch, New Zealand; drying flax-fibre, &c.; 30054, 18th August.

Mainland, H. L., Dunedin, New Zealand; animal-trap; 29936, 26th July; (75, 21st September).

Marchant, F. S., Wellington, New Zealand; crank-pin, &c., turning; 29978, 7th August; (72, 7th September).*

Markel, K. E., and another, London, England (see E. N. Waters, No. 30050).

Marsh, R. F., East Maitland, New South Wales; washing basket and drainer; 29947, 1st August.

Marshall, H. C., and another, Sydney, New South Wales; sliding gate and barrier; 30208, 13th September.

Marshdale, G. P., Hamilton, New Zealand; syringe; 30079, 22nd August.

Martin, P., jun., and another, Granity, New Zealand; axle-lubricator; 28387, 6th September, 1910; (72, 7th September).

Martineau, F. L., and another, London, England; hydraulic transmission apparatus; 30213, 14th September; (91, 16th November).

Mason, H. A., Wellington, New Zealand; drain-tester; 29934, 28th July; (75, 21st September).

Massev, W., Mangere, New Zealand; wire-strainer; 29862, 13th July.

Matheson, J. D., Fairlie, New Zealand; horse-bridle; 28302, 22nd August, 1910; (69, 24th August).

Matthews, P., Ashhurst, New Zealand; cow-bail fastener; 29927, 27th July; (69, 24th August).*

Matthews, K., New Plymouth, New Zealand; kitchen-iron rest; 30138, 2nd September; (88, 2nd November).*

Matthews, R. E. N., and another, Auckland, New Zealand; peg-top and spinner; 29998, 7th August.

Maude, T., and another, Christchurch, New Zealand; tree-felling; 30013, 12th August; (83, 19th October).*

Maude, T., and another, Christchurch, New Zealand; flax-stripper; 30184, 11th September; (91, 16th November).

May, J. C., Onehunga, New Zealand; egg-carrier; 28618, 21st October, 1910; (62, 27th July).

Mehring, W., Maryland, United States America (see H. Veale, No. 28754).

Metcalfe, H., Auckland, New Zealand; nut-lock; 29838, 10th July; (83, 19th October).*

Meyer, W. C., Beverly, United States America (see United Shoe Machinery Company, No. 29983).

Mills Equipment Company, Limited, London, England; military equipments; (W. P. Wise); 29917, 25th July; (75, 21st September).

Mitchell, H., Orange, New South Wales; concrete non-absorbent building-block; 30023, 15th August; (79, 5th October).*

Moloney, M., Christchurch, New Zealand; fire-alarm; 29959, 3rd August; (75, 21st September).*

Montalk (see de Montalk).

Moody, S., and another, Preston, Victoria; tire-cover; 29890, 17th August, 1910.†

Moore, A. R., and another, Matiere, New Zealand; acetylene-generator; 30174, 7th September; (88, 2nd November).*

Morford, J. R., and others, London, England; bottle, &c., cover; 29352, 11th June, 1910†; (58, 13th July).

Morgan, R. C., and another, Dunedin, New Zealand; pencil-sharpening; 30087, 24th August.

Morris, H. A., Masterton, New Zealand; belly-set; 30064, 21st August; (88, 2nd November).*

Morris, W., and another, Sydney, New South Wales; machine for packing tea; 30205, 13th September.

Moss, E., Christchurch, New Zealand; setting fire-alarm thermostats; 29993, 8th August; (69, 24th August).*

Moss, E., Christchurch, New Zealand; thermostat; 30191, 11th September; (88, 2nd November).*

Muller, K. F., and others, Kinglake, Victoria; vehicle-fore-carriage; (E. A. Deumer, K. F. Muller, and J. C. Grubb); 29982, 8th August; (79, 5th October).

Munn, D. H., Te Aute, New Zealand; liniment; 30281, 29th September; (91, 16th November).*

Munro, C. S., Kurow, New Zealand; napkin-warmer and hot-water bag; 30104, 24th August; (99, 1st December).

Muntz, C. F., and another, Upper Moutere, New Zealand; fire-lighter; 29864, 13th July; (75, 21st September).*

Murray, A., Geelong West, Victoria; wool-dyeing apparatus; 29981, 5th August; (79, 5th October).

Murray, D., and another, Mosgiel, New Zealand; chain link or buckle; 29975, 5th August; (79, 5th October).*

Murray, W., and another, Mosgiel, New Zealand; chain link or buckle; 29975, 5th August; (79, 5th October).*

Naismith, R. E., Timaru, New Zealand; wool-bale-sewing appliance; 30252, 21st September; (88, 2nd November).*

Napier, T., Auckland, New Zealand; fencing-post; 29350, 28th March; (58, 13th July*; 58, 13th July).

APPLICANTS FOR LETTERS PATENT—*continued.*

Nelson, I., and another, Sydney, New South Wales; water-sprayer; 28508, 28th September, 1910; (65, 10th August).

Nelson, W., Tomoana, New Zealand; tar-extractor, &c.; 28813, 1st December, 1910; (72, 7th September).

Neville, H., and another, Wellington, New Zealand; hat-pin; 29954, 2nd August.

Neville, H., and another, Wellington, New Zealand; electric fire-alarm; 29995, 9th August.

Neville, H., and another, Wellington, New Zealand; axe-head fastener; 30000, 10th August; (79, 5th October).*

Neville, H., and another, Wellington, New Zealand; tongs; 30001, 10th August; (75, 21st September).*

Neville, H., and another, Wellington, New Zealand; broom-handle attaching to broom-head; 30002, 10th August.

Neville, H., and another, Wellington, New Zealand; electrical cooking; 30156, 5th September.

Neville, H., and another, Wellington, New Zealand; propulsion-lever for invalid chair and cycle; 30169, 7th September; (88, 2nd November).*

Newman, F. W., and another, London, England; petrol-gas generator; 29925, 22nd July; (75, 21st September).

Newman, J. G., Sydney, New South Wales; spark-igniter for gas, &c., engine; 30033, 10th November, 1910.†

New Zealand Hemp Process and By-products Company, Limited, Napier, New Zealand; flax-drier; (W. G. Richardson); 28395, 7th September, 1910; (65, 10th August).

New Zealand Hemp Process and By-products Company, Limited, Napier, New Zealand; flax-stripper; (W. G. Richardson); 28396, 7th September; (65, 10th August).

Noakes, W. C., Christchurch, New Zealand; unloading coal, &c., from ship's hold; 30116, 30th August; (99, 1st December).

Nikolaïson, P. A., Whetukura, New Zealand; plough; 28546, 5th October, 1910; (72, 7th September).

Noone, W. H., and another, Auckland, New Zealand; closet-seat; 29941, 31st July.

Norgrove, H., Auckland, New Zealand; dry-dock building; 29923, 22nd July; (88, 2nd November).

Normanby (see Mackenzie-Normanby).

Normann, W., and another, Herford, Germany (see E. N. Waters, No. 30050).

Northcott, F. J., Christchurch, New Zealand; milking-machine receiver and deliverer; 30005, 10th August; (69, 24th August).*

Norton, G. F., Ngaio, New Zealand; casement lock and stay; 29967, 5th August; (75, 21st September).*

Notter, E. F. S., London, England (see J. A. Hill, No. 30185).

O'Connor, J. H., and another, Greytown, New Zealand; needle-plate honeycomb-perforator; 30234, 20th September; (88, 2nd November).*

O'Hara, E. M., Gore, New Zealand; hatpin; 30212, 13th September.

O'Hern, D. P., Christchurch, New Zealand; railway hand signal-lamp; 30043, 15th August; (83, 19th October).*

Oldman, C. A., Waiau, New Zealand; drill-lubricator; 28362, 31st August, 1910; (62, 27th July).

Oldman, C. A., Waiau, New Zealand; Beehive-dummy; 28981, 11th January; (75, 21st September).

Oliver, J., and another, Bluff, New Zealand; sausage-machine; 30262, 27th September; (91, 16th November).*

O'Neill, J., Greymouth, New Zealand; saw-bench return-feed; 30149, 1st September; (91, 16th November).*

O'Reilly, J., jun., and another Sydney, New South Wales; resilient wheel for vehicle; 30125, 31st August; (88, 2nd November).

Page, J. J., and another, Dunedin, New Zealand; cool-storage safe; 30227, 19th September.

Page, S., and another, Auckland New Zealand; cool-storage safe; 30227, 19th September.

Pallett, H. J., Dunedin, New Zealand; skiving-machine knife and boss; 30103, 24th August; (91, 16th November).

Palmer, F. S., Hawera, New Zealand; bread-renewer; 30190, 12th September; (91, 16th November).*

Panckhurst, D., Reefton, New Zealand (see A. J. Joyce, No. 30133).

Panton, J. A., Liverpool, England; brake-block; 28413, 8th September, 1909†; (75, 21st September).

Pape, H., Hamburg, Germany; zinc-desulphurization; 30217, 14th September; (99, 1st December).

Parker, H. H. L., Pakipaki, New Zealand; manger; 28050, 8th July, 1910; (58, 13th July).

Parker, W. H., New Plymouth, New Zealand; hair-pin; 29828, 6th July; (75, 21st September).*

Parkin, A., and others, Christchurch, New Zealand; can-soldering; 30027, 15th August; (79, 5th October).*

Patchett, W., Caistor, England; reaping-machine attachment; 29853, 11th July.

Paterson, J., Auckland, New Zealand; Water-heater, &c.; 27987, 28th June, 1910; (58, 13th July).

APPLICANTS FOR LETTERS PATENT—*continued.*

Pearson, J., and another, Stafford, New Zealand; drain-lining; 30201, 13th September.

Peat Coal Investment Company, Limited, London, England; briquette fuel-production; (T. Rigby); 30075, 22nd August; (83, 19th October).

Peat Coal Investment Company, Limited, London, England; band-press; (N. Testrup); 30076, 22nd August; (83, 19th October).

Peat Coal Investment Company, Limited, London, England; peat gathering and transporting; (T. Rigby); 30210, 13th September; (91, 16th November).

Peterson, F. L., and another, Wellington, New Zealand; pen-nib reservoir; 30118, 30th August; (83, 19th October).

Phillips, E., Melbourne, Victoria; electric-oscillation circuit and connection (Gesellschaft für Drahtlose Telegraphie m.b.H.—R. H. Rendahl); 30256, 26th September; (99, 1st December).

Phillips, E., Melbourne, Victoria; wireless-telegraphy-connection changing; (Gesellschaft für Drahtlose Telegraphie m.b.H.—A. Leib and A. Frey); 30257, 26th September; (99, 1st December).

Phillips, W. A., and another, London, England; obtaining oxide of nitrogen; 30242, 26th November, 1910†; (99, 1st December).

Phillips, W. A., and another, London, England; obtaining oxide of nitrogen; 30243, 20th February†; (99, 1st December).

Philpott, F. W., Awarua Plains, New Zealand; stump-pulling apparatus; 28335, 25th August, 1910; (75, 21st September).

Philpott, G., Awarua Plains, New Zealand; stump-pulling apparatus; 28335, 25th August, 1910; (75, 21st September).

Player, C. E., Northcote, New Zealand; rug, &c.; 29852, 10th July.

Player, C. E., Northcote, New Zealand; cupboard-door catch; 30112, 28th August; (79, 5th October).*

Pocock, A. C., Hamilton, New Zealand; milking-machine; 29903, 20th July; (69, 24th August).*

Ponder, A. R., Christchurch, New Zealand; collapsible forcing-frame; 30166, 6th September; (91, 16th November).

Ponninghaus, W. B. D., Prahran, Victoria; float for controlling flow of liquid; 30170, 5th September; (91, 16th November).

Ponten, A., Berkeley, United States America; centrifugal sluicing-apparatus; 30147, 1st September; (91, 16th November).

Porch, W., Auckland, New Zealand; fencing-batten or spreader; 30142, 14th September; (83, 19th October).*

Potts, T. W., and another, Dunedin, New Zealand; train-track point; 28528, 3rd October, 1910; (75, 21st September).

Powers, T. B., and another, London, England; self-winding clock; 29882, 24th February, 1911†; (72, 7th September).

Prenzel, A. H., Halifax, United States America (see United Shoe Machinery Company, No. 30192).

Price, J., London, England (see S. A. Cobbett, No. 29948).

Prior, A., and another, Dunedin, New Zealand; box; 29836, 7th July; (75, 21st September).

Puttfarcken, J. A., Sydney, New South Wales; gas-generator; (W. W. Lewis); 30072, 23rd August.

Pyle, R. B., and another, Christchurch, New Zealand; vulcanizing-plant; 30157, 4th September; (83, 19th October).*

Quail, W. H., Claresholm, Canada; animal-nose protector; 29841, 8th July; (75, 21st September).

Quick, A. A., and another, Northcote, Victoria; variable-speed gear; 30124, 31st August; (88, 2nd November).

Quist, F. J., and another, Worcester, United States America; (see A. H. Smith, No. 30168).

Ralph, R. G., Huntly, New Zealand; rat-trap; 28577, 13th October, 1910; (72, 7th September).

Ramage, J., Balclutha, New Zealand; acetylene-generator, &c.; 29840, 8th July; (62, 27th July).*

Rasmussen, F. W., Pahiatua, New Zealand; umbrella; 30049, 18th August; (83, 19th October).

Rasmussen, H. P., Dunedin, New Zealand; insulating-composition; 28682, 4th November, 1910; (58, 13th July).

Raymond, F. V., and another, Invercargill, New Zealand; flax-dresser; 29807, 3rd July; (65, 10th August).*

Raynes, J. J., Rukuhia, New Zealand; cream-separator driving-apparatus; 29822, 5th July; (69, 24th August).*

Raynes, J. J., Rukuhia, New Zealand; driving-power equalizer; 29823, 5th July; (69, 24th August).*

Raynes, J. J., Rukuhia, New Zealand; water-heater; 29912, 24th July; (75, 21st September).*

Redick, R. J., Auckland, New Zealand; waterproofing building; 30055, 17th August; (88, 2nd November).

Reed, W. C., Waikino, New Zealand; grip-hatpin-guard; 29924, 26th July; (75, 21st September).*

APPLICANTS FOR LETTERS PATENT—*continued.*

Reid, A. S., St. Kilda, Victoria; teat-cup; 29820, 5th July; (69, 24th August).*

Reid, A. S., St. Kilda, Victoria; milking-machine pulsator; 29821, 5th July; (69, 24th August).*

Reid, A. S., St. Kilda, Victoria; milking-apparatus; 30082, 22nd August; (88, 2nd November).

Reid, A. W., Stratford, New Zealand; milking-machine pulsator; 28319, 24th August, 1910; (62, 27th July).

Reid, A. W. Stratford, New Zealand; milking-machinery releaser; 30129, 31st August; (79, 5th October).*

Reid, J. M., and another, Wellington, New Zealand; fire-place; 28442, 16th September, 1910; (75, 21st September).

Rendahl, R. H., Lilienholm, Sweden (see E. Phillips, No. 30256).

Reynolds, E. C., Dunedin, New Zealand; time-limit clock; 30238, 19th September; (99, 1st December); (99, 1st December).*

Rice, H. W., South Melbourne, Victoria (see A. Sturrock, No. 30025).

Richards, H. J., and another, Christchurch, New Zealand; vulcanizing-plant; 30157, 4th September; (83, 19th October).*

Richardson, W. G., Foxton, New Zealand (see New Zealand Hemp Process and By-products Company, Limited, Nos. 28395 and 28396).

Ridd, A., Waipuku, New Zealand (see Ridd Milking Machine Company, Limited, No. 28554).

Ridd Milking Machine Company, Limited, New Plymouth, New Zealand; teat-cup; (A. Ridd); 28554, 7th October; 65, 10th August).

Ridd Milking Machine Company, Limited, New Plymouth, New Zealand; milking-machine pulsator; (S. J. Sutton); 29870, 14th July; (69, 24th August).*

Rigby, T., Dumfries, Scotland (see Peat Coal Investment Company, Limited, Nos. 30075 and 30210).

Roberts, F., Epsom, New Zealand; tablet-exchange apparatus; 28734, 15th November, 1910; (75, 21st September).

Roberts, W. F., Adelaide, Australia; sanitary-pan cover; 30151, 4th September.

Roberts, W. T. B., Leicester, England (see United Shoe Machinery Company, No. 28281).

Robertson, D. M., Christchurch, New Zealand; starting-barrier for horse race; 30096, 26th August; (79, 5th October).*

Robertson D. M., Christchurch, New Zealand; totalizor; 30097, 26th August; (79, 5th October).*

Robertson, J., Normanby, New Zealand; footpiece for shovel; 30003, 8th August.

Robertson, M., Fitzroy, Victoria; coated confectionery; 30074, 23rd August.

Robinson, P., and another, Foxton, New Zealand; flax-tail clipper auger gear; 30102, 28th August; (79, 5th October).*

Robinson, P., and another, Foxton, New Zealand; hot bearings tell-tale and alarm; 30167, 30th August.

Rose, F., and another, Melbourne, Victoria; elevated ruler; 29943, 1st August.

Ross, D. A., and another, Auckland, New Zealand; hat-pin; 29902, 20th July.

Rowlandson, W. C., Dunedin, New Zealand; hill-climbing attachment for boot; 30255, 21st September; (99, 1st December).*

Roy, E. W., and another, Dunedin, New Zealand; mounting for skiving-machine cylindrical cutter; 30282, 28th September.

Rutherford, R. S., Otira, New Zealand; vacuum cleaner; 30060, 18th August; (91, 16th November).*

Ryan, T. W., Ottawa, Canada; rifle-bucket; 29867, 14th July; (75, 21st September).

Sabroe, T. T., Copenhagen, Denmark; divided milk-pail; 29976, 7th August; (79, 5th October).

Sadd, W. T., Palmerston North, New Zealand; tow-treatment; 29926, 26th July; (69, 24th August).*

Salek, S., Wellington, New Zealand; memoranda, &c., folding and gumming machine; 28157, 27th July, 1910; (65, 10th August).

Salmon, J. B., and another, Dunedin, New Zealand; mounting for skiving-machine cylindrical cutters; 30282, 28th September.

Sandlant, W., Gisborne, New Zealand; window-sash securing; 29933, 26th July; (79, 5th October).*

Schadick, J., Westport, New Zealand; wheel-tire; 29914, 20th July.

Schlaadt, H., Dunedin, New Zealand; casement-bar; 30070, 21st August.

Schultz, E., and another, West Melbourne, Victoria; aeroplane; 29811, 4th July.

Schultz, E., West Melbourne, Victoria; milking-machine; (A. J. Capp); 30126, 31st August; (88, 2nd November).

Scott Bros., Limited, Christchurch, New Zealand; high-pressure boiler; (G. Scott); 28196, 1st August, 1910; (65, 10th August).

APPLICANTS FOR LETTERS PATENT—*continued.*

Scott, E. H., and another, Christchurch, New Zealand; illuminated sign; 30144, 2nd September.

Scott, G., Christchurch, New Zealand; gas-producer valve; 29887, 18th July.

Scott, G., Christchurch, New Zealand; gas-producer valve; 29900, 21st July; (88, 2nd November).

Scott, G., Christchurch, New Zealand (see Scott Bros., Limited, No. 28196).

Scott, H., and another, Christchurch, New Zealand; illuminated sign; 30144, 2nd September.

Scott, J. L., and another, Christchurch, New Zealand; gas-producer valve; 29887, 18th July.

Scott, J. L., and another, Christchurch, New Zealand; gas-producer; 29900, 21st July; (88, 2nd November).

Scott, W., Christchurch, New Zealand; friction-clutch for power-driven hand separator; 30237, 20th September; (91, 16th November).*

Scott, W. H., Dunedin, New Zealand; spouting-nail; 29990, 7th August.

Scott, W. H., Dunedin, New Zealand; double-headed match; 29991, 7th August.

Seale, G. E. D., Kumara, New Zealand; drawing boring-pipe casing, &c., from the ground; 30198, 13th September; (91, 16th November).*

Security and Holding Company, San Francisco, United States America; gold-recovering; (J. H. Aling); 29985, 8th August.

Seifert, W., Palmerston North, New Zealand; flax-catcher; 28115, 19th July, 1910; (62, 27th July).

Seifert, W., Palmerston North, New Zealand; flax-catcher; 30225, 19th September; (88, 2nd November).*

Sewell, F., Auckland, New Zealand; projectile-firing; 29938, 28th July; (72, 7th September).*

Sharp, J., jun., and another, Nelson, New Zealand; pen-nib reservoir; 30118, 30th August; (83, 19th October).

Sharples, D. T., West Chester, United States America; milking-method; 28728, 11th November, 1910; (62, 27th July).

Shaw, H. H., Hamilton, New Zealand; water-power developer; 30222, 14th September; (91, 16th November).

Shaw (see Hele-Shaw).

Shaw, L., Sydney, New South Wales; wool-scouring preparation; 28978, 11th January; (75, 21st September).

Shaw, T., jun., Westport, New Zealand; gas-generation under pressure; 30224, 19th September; (88, 2nd November).*

Sheppard, C. G., and others, Adelaide, South Australia; building-block and building-reinforcing; 30259, 27th September; (99, 1st December).

Shuker, J., Christchurch, New Zealand; seed-thresher; 29896, 19th July; (69, 24th August).*

Sides, P. W., Little River, Victoria; thresher-feed mechanism; 30196, 12th September.

Silvester, R. H., Leicester, England (see United Shoe Machinery Company, No. 28281).

Sim, W., Invercargill, New Zealand; tinned can-cap, &c., securing; 29829, 3rd July; (62, 27th July).*

Simons, S., Auckland, New Zealand; panels, &c., securing to furniture, &c.; 29817, 3rd July; (72, 7th September).

Simpson, F. F., Sydney, New South Wales; moisture-determining; 28351, 30th August, 1910; (58, 13th July).

Simpson, H., Auckland, New Zealand; toaster; 30199, 11th September.

Simpson, H., Auckland, New Zealand; towel-roller; 30253, 21st September.

Sinclair, J. (see W. Taine, No. 30232).

Skinner, W. W., Wanganui, New Zealand; wood-or metal-working appliance; 30186, 11th September; (83, 19th October).*

Small, G. M., and another, Christchurch, New Zealand; hopple-protector for pacing; 30229, 19th September; (88, 2nd November).*

Smith, A. H., Sydney, New South Wales; vacuum sweeper; (the Domestic Vacuum Cleaner Company—F. J. Quist and M. Blanch); 30168, 7th September; (91, 16th November).

Smith, B. S., Sydney, New South Wales; sulphide-ore wet dressing; 29953, 4th August, 1910.†

Smith, C. B., Dunedin, New Zealand; triplicate counter-sales book; 30089, 23rd August; (88, 2nd November).

Smith, H. W., and another, Auckland, New Zealand; gas-engine timing-rod; 30240, 20th September.

Smith, H. W., and another, Auckland, New Zealand; carburettor; 30241, 20th September; (88, 2nd November).*

Smith, J. C., and others, New Plymouth, New Zealand; metal-extraction; 30063, 21st August; (79, 5th October).*

Smith, J. J., New York, United States America; stone-cutting saw; 30121, 6th September, 1910.†

Smith, S. G., Oxford, New Zealand; acetylene-generator; 30099, 26th August; (79, 5th October).*

Soda Stream Limited, London, England (see J. Dixon, No. 30148).

APPLICANTS FOR LETTERS PATENT—*continued.*

Sorenson, N., and another; Paeroa, New Zealand; barrow-wheel; 29871, 13th July; (72, 7th September).*

Sorg, W. A., Minneapolis, United States America; internal-combustion engine; 29979, 7th August; (79, 5th October).

Speight, B., Taumarunui, New Zealand; brake; 30066, 22nd August; (75, 21st September).*

Speight, B., Taumarunui, New Zealand; saw; 30251, 26th September; (91, 16th November).*

Spencer, H. D., Dorchester, United States America (see United Shoe Machinery Company, No. 28432).

Stace, E., Christchurch, New Zealand; motor-cycle driving-belt; 30113, 30th August.

Staines, F., London, England; sink; 29880; 22nd September, 1910; (75, 21st September).

Staines, F., London, England; crockery-washing device; 29881, 18th July; (75, 21st September).

Stevenson, T. J., Timaru, New Zealand; crop lifting and weeding machine; 29958, 2nd August; (75, 21st September).*

Stewart, A. P., Hunterville, New Zealand; pot-scrapers; 28437, 15th September, 1910; (58, 13th July).

Stewart, J., Invercargill, New Zealand; metal label for marking plants; 29971, 3rd August; (79, 5th October).*

Stewart, J., Gore, New Zealand, draught-attachment for reaper; 30011, 10th August; (79, 5th October).

Stewart, J., Invercargill, New Zealand; lid for oil-drum, &c.; 30059, 17th August; (88, 2nd November).*

Stewart, R., Tokomaru, New Zealand; flax-dressing machine; 29969, 5th August; (79, 5th October).*

Stewart, W. W., and another, Gisborne, New Zealand; intercepting trap; 30248, 20th September; (88, 2nd November).*

Sturrock, A., Melbourne, Victoria; wire-bound box; (H. W. Rice); 30025, 15th August; (83, 19th October).

Suckling, J. H., Christchurch, New Zealand; hood for motor-car; 30093, 24th August; (88, 2nd November).*

Suckling, J. H., Christchurch, New Zealand; carburettor for motor-car; 30100, 26th August; (79, 5th October).*

Suttie, C., and another, Waharoa, New Zealand; flax-dresser; 28456, 19th September, 1910; (62, 27th July).

Suttie, C., and another, Waharoa, New Zealand; tow-treatment; 28539, 5th October, 1910; (65, 10th August).

Suttie, C., and another, Waharoa, New Zealand; tow-collector; 29816, 3rd July; (65, 10th August).*

Suttie, C., and another, Waharoa, New Zealand; flax-catcher; 30187, 11th September; (88, 2nd November).*

Sutton, S. J., New Plymouth, New Zealand (see Ridd Milking Machine Company, Limited, No. 29870).

Swift-cut Timber Limited, London, England; cask, &c., stove; (C. E. Bratt); 30028, 15th August.

Sykes, W. R., Interlocking Signal Company, Limited, and others, London, England; locking-mechanism; 29918, 25th July; (75, 21st September).

Symons, A. T. G., Christchurch, New Zealand; golf-club caddy-bag; 30165, 6th September; (88, 2nd November).*

Taine, W., Dunedin, New Zealand; boot-blackening, &c., container; (J. Sinclair); 30232, 20th September; (91, 16th November).

Tait, A. L. J., Dunedin, New Zealand; pot-lid strainer, &c.; 29837, 5th July; (69, 24th August).*

Tait, P., Denniston, New Zealand; horse-shoeing hammer; 30250, 21st September; (91, 16th November).*

Tarrant, R. W., and others, London, England; locking-mechanism; 29918, 25th July; (75, 21st September).

Taylor, J., Ashburton, New Zealand; boot-heel stiffener; 30015, 12th August; (79, 5th October).*

Taylor, J., Nelson, New Zealand; airship; 30085, 25th August; (75, 21st September).*

Taylor, T. A. A., Herbertville, New Zealand; kerosene-tin handle; 30004, 10th August.

Taylor, W. J., Timaru, New Zealand; broom-handle; 30020, 11th August; (83, 19th October).*

Techno-Chemical Laboratories, Limited, London, England; oils, &c., treatment; (N. Testrup); 29824, 4th July; (69, 24th August).

Teese, W. J., Garden Vale, Victoria; milking-machine pulsator; 29886, 20th July; (69, 24th August).*

Testrup, N., London, England (see Techno-Chemical Laboratories, Limited, No. 29824).

Testrup, N., London, England (see Peat Coal Investment Company, Limited, No. 30076).

Thomas, J., Kenilworth, England; smoke-consumer, &c.; 29846, 11th July; (72, 7th September).

Thompson, A., Auckland, New Zealand; perambulator, &c., springs; 29920, 24th July; (75, 21st September).

Thomson, G. S., Dunedin, New Zealand; loose-leaf-ledger locking-device; 30088, 23rd August; (88, 2nd November).

APPLICANTS FOR LETTERS PATENT—*continued.*

Thomson, G. S., Dunedin, New Zealand; single double-entry ledger and account-book; 30161, 4th September.

Thompson, H. A., and another, Hokitika, New Zealand; drain-lining; 30201, 13th September.

Thomson, T., Westlea, Scotland; linseed-oil, &c., substitute; 29842, 11th July; (75, 21st September).

Tong, J. W., Hawera, New Zealand; concrete-mixer; 29325, 27th March; (75, 21st September).

Tonkin, J. S., Westshore, New Zealand; kettle, &c.; 29901, 21st July; (75, 21st September).

Toomer, A. F., Christchurch, New Zealand; boot-construction; 30109, 26th August.

Toyne, G., and another, North Geelong, Victoria; clothes-hoist; 29950, 1st August; (75, 21st September).*

Tracy, S. J., Auckland, New Zealand; hatpin-guard; 30048, 18th August; (88, 2nd November).*

Trevarthen, R. O., and another, Auckland, New Zealand; closet-seat; 29941, 31st July.

Trevor, S. R., Auckland, New Zealand; devulcanizing and extracting rubber from vulcanized rubber; 29905, 22nd July; (69, 24th August).*

Trist, J. W., and another Christchurch, New Zealand; hopple-protector for use in pacing; 30229, 19th September; (88, 2nd November).*

Trumble, M. J., Los Angeles, United States America (see Trumble Refining Company, No. 29868).

Trumble Refining Company, Kingman, United States America liquid-evaporation; (M. J. Trumble); 29868, 14th July; (72, 7th September).

Turnbull, A. J. B., and others, Surrey Hills, Victoria; steam-generator; 30123, 31st August; (79, 5th October).*

Turnbull, H. A., and others, Surrey Hills, Victoria; steam-generator; 30123, 31st August; (79, 5th October).*

Tweedale, W., and others, New Plymouth, New Zealand; metal-extraction; 30063, 21st August; (79, 5th October).*

United Shoe Machinery Company, Paterson, United States America; inseam shoe-sewing machine; (W. C. Meyer); 29983, 8th August; (69, 24th August).*

United Shoe Machinery Company, Paterson, United States America; sole-sewing machine; (A. Bates); 29984, 8th August; (69, 24th August).*

United Shoe Machinery Company, Paterson, United States America; shoe-manufacture; (A. H. Prenzel); 30192, 12th September; (88, 2nd November).*

United Shoe Machinery Company, Paterson, United States America; leather-stamping machine; (H. H. Winter); 28277, 17th August, 1910; (65, 10th August).

United Shoe Machinery Company, Paterson, United States America; boot-machine; (A. Bates, R. H. Silvester, W. T. B. Roberts, and J. H. Brown); 28281, 17th August, 1910; (65, 10th August).

United Shoe Machinery Company, Paterson, United States America; heel-breasting machine; (A. Bates); 28386, 6th September, 1910; (62, 27th July).

United Shoe Machinery Company, Paterson, United States America; boot-manufacture; (R. F. McFeely); 28431, 14th September, 1910; (62, 27th July).

United Shoe Machinery Company, Paterson, United States America; boot-press; (H. D. Spencer); 28432, 14th September, 1910; (62, 27th July).

United Shoe Machinery Company, Paterson, United States America; boot-machine; (E. Brothers); 28625, 25th October, 1910; (75, 21st September).

United Shoe Machinery Company, Paterson, United States America; fastener-inserting machine; (L. A. Casgrain); 28707, 10th November, 1910; (75, 21st September).

United Shoe Machinery Company, Paterson, United States America; fastener-inserting machine; (G. Goddin); 28710, 10th November, 1910; (75, 21st September).

Veale, H., Roxburgh, New Zealand; cow-milker; (W. Mehring); 28754, 16th November, 1910; (58, 13th July).

Vibrocel Company, Limited, London, England; sea-wall, &c., construction; (F. G. Lynde and E. R. Calthrop); 30137, 31st August; (91, 16th November).

Vickerstaff, J., and another, Auckland, New Zealand; hatpin; 29902, 20th July.

Viscose Development Company, Limited, and another, London, England; bottle, &c., covering; 29352, 11th June, 1910; (58, 13th July).

Voss, H., Waimate, New Zealand; windmill; 28673, 3rd November, 1910; (75, 21st September).

Wainwright, E. P., Hastings, New Zealand; oil-economizer; 29819, 5th July; (72, 7th September).*

Walker, J. W., Bradford, England; boat, &c., gear; 29895, 20th July.

APPLICANTS FOR LETTERS PATENT—*continued.*

Wall, E., Teesdale, Victoria; potato-planter; 29892, 23rd July, 1910; (75, 21st September).

Walton, J. T., and another, Aston, England (see Wolseley Sheep Shearing Machine Company, Limited, No. 30110).

Wanklyn, E., and another; Foxton, New Zealand; flax-tail-clipper auger; 30102; 28th August; (79, 5th October).*

Wanklyn, W. H. E., Christchurch, New Zealand; memorandum form and envelope; 30092, 24th August.

Ward, B., Tauranga, New Zealand; concrete fencing-post manufacture composition; 30228, 19th September.

Ward, H. E., Greymouth, New Zealand; incubator-heat regulator; 30040, 12th August.

Ward, T. E., and another, Balmain, New South Wales; totalizator; 29956, 20th September, 1910†; (79, 5th October).

Waters, E. N., Melbourne, Victoria; unsaturated fatty-acid, &c., treatment; (J. Crossfield and Sons, Limited—K. E. Markel and W. Normand); 30050, 16th August.

Watkins, P. H., and others, Rangiora, New Zealand; attaching lamp to motor, &c.; 30269, 28th September; (91, 16th November).*

Watts, R. O., and others, Adelaide, South Australia; building-block and building-reinforcing; 30259, 27th September; (99, 1st December).

Way, L. A., Nelson, New Zealand; harness-fastening; 30130, 31st August; (88, 2nd November).*

Wearn, J. S., Christchurch, New Zealand; tram-car-route recorder; 29830, 6th July; (62, 27th July).*

Wearn, J. S., Christchurch, New Zealand; tram-car-destination board; 29878, 17th July; (72, 7th September).*

Webb, J. A., and another, Auckland, New Zealand; preventing ship's fittings from rolling, &c.; 30009, 10th August; (75, 21st September).*

Webber, S. A., and others, Rangiora, New Zealand; attaching lamp to motor, &c.; 30269, 28th September; (91, 16th November).*

West, W., and another, Auckland, New Zealand; cork, &c., receiver; 29815, 1st July; (62, 27th July).*

Wiley, F., Palmerston North, New Zealand; teat-cup; 29915, 24th July; (75, 21st September).

Whimp, T. H., Hastings, New Zealand; shovel-tread attachment; 30042, 17th August.

Whitaker, C. G., Christchurch, New Zealand (see Booth, Macdonald, and Co., Limited, No. 29826).

White, J. B. F., Wanganui, New Zealand; cooking-bowl holder; 30056, 17th August; (88, 2nd November).

Whitfield, H. E., Christchurch, New Zealand; electric-car-controller handle; 30108, 26th August; (88, 2nd November).*

Whittome, F., Auckland, New Zealand; bottle-filler; 29961, 2nd August; (79, 5th October).

Whybrow, A., and others, Melbourne, Victoria; vehicle-forecarriage; (A. Deumer, K. F. Muller, and J. C. Grubb); 29982, 8th August.

Wiggins, R. A., Wellington, New Zealand (see Dominion Pressure Milking Machine Company, Limited, No. 27913).

Wilbuschewitsch, M., Nischninogorod, Russia, &c., raising to melting-point; 29884, 18th July; (72, 7th September).

Wilcox, A. E., Auckland, New Zealand; envelope; 30275, 27th September; (91, 16th November).*

Wilkinson, M., Auckland, New Zealand; playing-card; 30022, 14th August; (75, 21st September).*

Williams, A. J., Opatiki, New Zealand; acetylene-generator; 30272, 28th September; (88, 2nd November).*

Williams, E. A., Dannevirke, New Zealand; clothes-prop; 30220, 15th September.

Williams, H. G., Onehunga, New Zealand; pile; 29955, 2nd August.

Williams, J., Newport Pagnell, England; carburettor; 29977, 7th August; (79, 5th October).

Williden, H. P., Dunedin, New Zealand; petrol-gas apparatus; 29861, 11th July; (72, 7th September).

Wills, T., and another, Matiere, New Zealand; acetylene-generator; 30174, 7th September; (88, 2nd November).*

Wills, W., and another, Wellington, New Zealand; fire-place; 28442, 16th September, 1910; (75, 21st September).

Willson, P. W., and others, Stratford, New Zealand; spark-arrester; 30045, 18th August; (91, 16th November).*

Willson, W. H. J., and another, St. Kilda, Victoria; tire-cover; 29890, 17th August, 1910.†

Wilson, J. F., Dunedin, New Zealand; driving-mechanism; 30284, 29th September; (91, 16th November).*

Wilson, J. F., Sydney, New South Wales (see H. H. Hinds, No. 29957).

Wilson, O. E., Didsbury, England; bonding-stirrup, &c. 28532, 16th February, 1910†; (75, 21st September).

Wilson, T., and others, Wellington, New Zealand; post-office pillar-box; 29818, 5th July; (72, 7th September).

Winkelman, N. G. G., Napier, New Zealand; ash-pan; 29962, 4th August; (83, 19th October).

APPLICANTS FOR LETTERS PATENT—*continued.*

Winter, H. W., Methuen, United States America (see United Shoe Machinery Company, No. 28277).

Wise, W. P., London, England (see Mills Equipment Company, Limited, No. 29917).

Woodward, E., Dunedin, New Zealand; propeller; 27889, 30th August, 1910; (69, 24th August).

Wolseley Sheep Shearing Machine Company, Limited, Aston, England; sheep-shearing machine; (J. Burke and J. T. Walton); 30110, 7th October, 1910.†

Wooller, F. M., Ellerslie, New Zealand; housewife's guide; 30010, 10th August; (75, 21st September).*

Worsley, C. H., Wellington, New Zealand; bottle-stopper; (Bratby and Hinchliffe, Limited); 30245, 22nd September.

Wotton, R. K., Timaru, New Zealand; clamp; 29992, 7th August; (75, 21st September).*

Wright, A. H., Auckland, New Zealand; travelling advertising medium, &c.; 29814, 3rd July; (69, 24th August).*

Wright, A. H., Dunedin, New Zealand; gripper and recorder for marking-machine; 29874, 15th July; (65, 10th August).*

Wright, A. H., Auckland, New Zealand; advertising-display sheet; 30006, 8th August; (69, 24th August).*

Wright, A. H., Auckland, New Zealand; information-display sheet; 30159, 2nd September; (88, 2nd November).*

Wright, A. H., Wellington, New Zealand; advertising-display sheet; 30214, 14th September; (88, 2nd November).*

Wright, A. H., Wellington, New Zealand; advertising-medium; 30233, 20th September; (88, 2nd November).*

Wright, A. H., Newmarket, New Zealand; information-display sheet; 30268, 26th September; (91, 16th November).*

Wright, A. H., Auckland, New Zealand; displaying information sheet; 30274, 27th September; (88, 2nd November).*

Wright, A. H., Auckland, New Zealand; advertising-mechanism; 30291, 30th September; (91, 16th November).*

Wright, A. H., Dunedin, New Zealand; advertising-apparatus; 30293, 30th September; (91, 16th November).*

Wright, W. G., and others, Rangiora, New Zealand; attaching lamp to motor; 30269, 28th September; (91, 16th November).*

Wylie, J., Dunedin, New Zealand; tea-infuser; (R. Wylie); 29165, 21st February; (62, 27th July).

Wylie, R., Mosgiel, New Zealand (see J. Wylie, No. 29165).

Wynyard, M. H., Auckland, New Zealand; flax-dryer; 28365, 31st August, 1910; (65, 10th August).

Wynyard, M. H., and another, Auckland, New Zealand; flax-dresser; 28456, 19th September, 1910; (62, 27th July).

Wynyard, M. H., and another, Auckland, New Zealand; tow-treatment; 28539, 5th October, 1910; (65, 10th August).

Wynyard, M. H., and another, Auckland, New Zealand; tow-collector; 29816, 3rd July; (65, 10th August).*

Wynyard, M. H., and another, Auckland, New Zealand; flax-catcher; 30187, 11th September; (88, 2nd November).*

Young, H., Ponsonby, New Zealand; billiard-table raising; 29922, 24th July.

Young, W., and another, Auckland, New Zealand; gas-engine timing-rod; 30240, 20th September.

Young, W., and another, Auckland, New Zealand; carburettor; 30241, 20th September; (88, 2nd November).*

Yourelle, T. I., Melbourne, Victoria (see J. Bellingham, No. 30131).

Ziele, C. W., Christchurch, New Zealand; boot-polish-tin holder; 30135, 31st August; (79, 5th October).*

Alphabetical List of Inventions for Quarter ended 30th September, 1911.

THIS list includes also (1) applications lodged prior to but gazetted during the quarter, (2) complete specifications following provisional specifications accepted or gazetted during the quarter. The first number and date are those of the application; the number and date following in parentheses refer to the *Gazette* containing the notification of acceptance. Where the number and date of the *Gazette* are omitted, the application has not yet been accepted.

* Denotes a provisional specification. † Denotes a prior date under the International and Intercolonial Arrangements.

Acetate of soda, &c., preparing; H. M. Levinge; 29804, 4th October; (88, 2nd November).

Acetylene-gas generator; H. A. Fry; 30083, 24th August; (83, 19th October).

Acetylene-gas generator; J. Macpherson; 29980, 5th August.

ALPHABETICAL LIST OF INVENTIONS—*continued.*

Acetylene-gas generator; A. R. Moore and T. Wills; 30174, 7th September; (88, 2nd November).*

Acetylene-gas generator; J. A. Puttifarcken; 30072, 23rd August.

Acetylene-gas generator; J. Ramage; 29840, 8th July; (62, 27th July).*

Acetylene-gas generator; S. G. Smith; 30099, 26th August; (79, 5th October).*

Acetylene-gas generator; A. J. Williams; 30272, 28th September; (88, 2nd November).*

Account-book (see Ledger and account-book).

Advertising; P. J. Gossling; 30277, 29th September; (99, 1st December).

Advertising; A. H. Wright; 30291, 30th September; (91, 16th November).*

Advertising; A. H. Wright; 30293, 30th September; (91, 16th November).*

Advertising-apparatus; A. H. Wright; 30214, 14th September; (88, 2nd November).*

Advertising-book hanger; G. V. Beck; 30280, 29th September; (91, 16th November).*

Advertising display-sheet, &c.; A. H. Wright; 30006, 8th August; (69, 24th August).*

Advertising display-sheet, &c.; A. H. Wright; 30159, 2nd September; (88, 2nd November).*

Advertising display-sheet, &c.; A. H. Wright; 30268, 26th September; (91, 16th November).*

Advertising-mechanism; A. H. Wright; 30274, 27th September; (88, 2nd November).*

Advertising-medium, &c.; A. H. Wright; 29814, 3rd July; (69, 24th August).*

Advertising-medium, &c.; A. H. Wright; 30233, 20th September; (88, 2nd November).*

Advertising soap-tablet; P. L. Harris; 30128, 31st August; (88, 2nd November).*

Aerating-liquid machine; J. Dixon; 30148, 1st September.

Aerial railway; W. L. Hamilton; 28965, 13th January, 1910+; (58, 13th July).

Aeroplane; L. H. Carroll and E. Schultz; 29811, 4th July.

Aeroplane; C. Chapman; 30008, 9th August; (75, 21st September).*

Agitating-apparatus (see Curd, &c., agitator).

Air-heater (see Hot-air generator).

Air-ship; J. Brockbank; 29937, 27th July; (69, 24th August).*

Air-ship; J. Taylor; 30085, 25th August; (75, 21st September).*

Alarm (see Fire-alarm; Bearings heating, alarm).

American-blight cure (see Blight-prevention, &c.).

Animal-trap; H. L. Mainland; 29936, 26th July; (75, 21st September).

Ash-pan; N. G. G. Winkelmann; 29962, 4th August; (83, 19th October).

Axe-head fastener; H. Neville and H. N. Maddox; 30000, 10th August; (79, 5th October).*

Axle-lubricator; P. Martin, jun., and F. Humphries; 28387, 6th September, 1910; (72, 7th September).

Band-press; the Peat Coal Investment Company, Limited; 30076, 22nd August; (83, 19th October).

Bag (see Caddy-bag, Damp-proof bag, Hot-water bag).

Barrier (see Starting-barrier).

Barrow-wheel; N. Sorenson and E. Goldsworthy; 29871, 13th July; (72, 7th September).*

Basket (see Cooking-basket, Washing basket and drainer).

Basket-support (see Saddle-basket support).

Batten (see Fencing-batten).

Bearings heating, alarm; P. Robinson and J. R. Hynes; 30167, 30th August.

Bearings-lubricator; P. Martin, jun., and F. Humphries; 28387, 6th September, 1910; (72, 7th September).

Bedstead; L. Joseph; 30183, 11th September.

Beehive; J. S. Cotterell; 30120, 29th August; (88, 2nd November).*

Beehive expansive dummy; C. A. Oldman; 28981, 11th January; (75, 21st September).

Beer, &c., cooler; G. Gibbs; 28164, 28th July, 1910; (65, 10th August).

Belly-set; H. A. Morris; 30064, 21st August; (88, 2nd November).*

Belt (see also Motor-cycle, &c., driving-belt).

Belt-fastener; F. Kerby; 30207, 13th September.

Belt, hygienic; T. and J. Diprose; 30177, 7th September; (91, 16th November).*

Benzene-gas generator; A. S. Ford; 29997, 10th August; (79, 5th October).*

Billiard-game; H. J. McNeil; 29865, 12th July.

Billiard-table, raising; H. Young; 29922, 24th July.

Billiard-table, securing panels, &c., to; S. Simons; 29817, 3rd July; (72, 7th September).

Billy-can, &c.; P. J. Griffin and W. H. Coe; 29831, 7th July; (62, 27th July).*

ALPHABETICAL LIST OF INVENTIONS—*continued.*

Blight-prevention, &c.; E. M. Clayton; 29898, 21st July; (79, 5th October).

Blind (see Venetian-blind).

Block (see Building-block, Snatch-block).

Boat, &c., gear; J. W. Walker; 29895, 20th July.

Boiler, cooking-range; Scott Bros. (Limited); 28196, 1st August, 1910; (65, 10th August).

Boiler furnace; J. A. Hill; 29843, 11th July; (72, 7th September).

Boiler wet back; G. E. King; 29965, 5th August; (79, 5th October).

Bonding-stirrup, reinforced-concrete construction; O. E. Wilson; 28532, 16th February, 1910+; (75, 21st September).

Book (see Counter-sales book, Ledger and account-book, Loose-leaf ledger).

Book-hanger (see Advertising-book hanger).

Booking plan and ticket; M. J. Brookes; 29857, 12th July; (75, 21st September).*

Boot; A. F. Toomer; 30109, 26th August.

Boot; United Shoe Machinery Company; 30192, 12th September; (88, 2nd November).*

Boot-blackening, &c., container; W. Taine; 30232, 20th September; (91, 16th November).

Boot-heel-breasting machine; United Shoe Machinery Company; 28386, 6th September, 1910; (62, 27th July).

Boot-heel-lasting machine; M. Brock; 28575, 16th October, 1909+; (75, 21st September).

Boot-heel stiffener; J. Taylor; 30015, 12th August; (79, 5th October).*

Boot, hill-climbing; W. C. Rowlandson; 30255, 21st September; (99, 1st December).*

Boot-inseam-sewing machine; United Shoe Machinery Company; 29983, 8th August; (69, 24th August).*

Boot-machine, fastener-inserter; United Shoe Machinery Company; 28707, 10th November, 1910; (75, 21st September).

Boot-machine, fastener-inserter; United Shoe Machinery Company; 28710, 10th November, 1910; (75, 21st September).

Boot-machine, leather-stamping; United Shoe Machinery Company; 28277, 17th August, 1910; (65, 10th August).

Boot-manufacture; United Shoe Machinery Company; 28281, 17th August, 1910; (65, 10th August).

Boot-manufacture; United Shoe Machinery Company; 28431, 14th September, 1910; (62, 27th July).

Boot-manufacture; United Shoe Machinery Company; 28625, 25th October, 1910; (75, 21st September).

Boot-polish-tin holder; C. W. Ziele; 30135, 31st August; (79, 5th October).*

Boot-polisher; H. Johns; 30145, 2nd September; (88, 2nd November).*

Boot-press; United Shoe Machinery Company; 28432, 14th September, 1910; (62, 27th July).

Boot-protector frame; A. M. Grainger; 28732, 12th November, 1910; (72, 7th September).

Boot, rubber-pad securing; W. Hicks and W. S. King; 29876, 17th July; (79, 5th October).*

Boot-sole-sewing machine; United Shoe Machinery Company; 29984, 8th August; (69, 24th August).*

Boring-pipes, &c., withdrawing; G. E. D. Seale; 30198, 13th September; (91, 16th November).*

Bottle (see also Non-refillable bottle).

Bottle; T. W. Edlin; 30101, 25th August.

Bottle, &c., covering; The Viscose Development Company, Limited, and J. R. Morford; 29352, 11th June, 1910+; (58, 13th July).

Bottle, &c., stopper; C. H. Worsley; 30245, 22nd September.

Bottle-filler; F. Whittome; 29961, 2nd August; (79, 5th October).

Box (see also Crate, Postal pillar-box).

Box; A. Prior and R. W. Brickell; 29836, 7th July; (75, 21st September).

Box, &c., collapsible; A. D. Clemett and W. Broadbent; 29919, 25th July; (69, 24th August).*

Box-strap, &c.; H. G. Daikee; 29893, 20th July; (75, 21st September).*

Box, wire-bound; A. Sturrock; 30025, 15th August; (83, 19th October).

Bracket (see Scaffolding-bracket, Shelf-bracket, Spouting-bracket).

Brake; A. M. Normanby; 30180, 7th September.

Brake; B. Speight; 30066, 22nd August; (75, 21st September).*

Brake-block; J. A. Panton; 28413, 8th December, 1909+; (75, 21st September).

Brand (see Sheep, &c., brand).

Bread-renewer; F. S. Palmer; 30190, 12th September; (91, 16th November).*

Bread-toaster (see Toaster).

ALPHABETICAL LIST OF INVENTIONS—*continued.*

Bridge (see Suspension bridge).
 Bridle; J. D. Matheson; 28302, 22nd August, 1910; (69, 24th August).
 Briquette fuel; the Peat Coal Investment Company, Limited; 30075, 22nd August; (83, 19th October).
 Broom-handle; W. J. Taylor; 30020, 11th August; (83, 19th October).
 Broom-head, attaching; H. Neville and H. N. Maddox; 30002, 10th August.
 Bucket (see Elevator-bucket, Milking-machine divided milk-pail, Rifle-bucket).
 Building (see Reinforcing buildings, Waterproofing buildings).
 Building-block; H. Mitchell; 30023, 15th August; (79, 5th October).
 Building-block and mould; J. Bellingham; 30131, 1st September.
 Building-block, &c.; H. Dennis, C. G. Sheppard, and R. O. Watts; 30259, 27th September; (99, 1st December).
 Brush (see Paint-brush).
 Butter-worker (see Churn and butter-worker).
 Button; A. J. Gibbs; 30132, 30th August; (88, 2nd November).
 Caddy-bag; A. T. G. Symons; 30165, 6th September; (88, 2nd November).
 Can (see Billy-can).
 Can-solderer; R. W. Caldwell, J. W. Langdon, and A. Parkin; 30027, 15th August; (79, 5th October).
 Can-cap, securing (see Lids of cans, securing).
 Car (see Electric-car-controller handle, Tram-car).
 Carburetting apparatus, air-; J. Williams; 29977, 7th August; (79, 5th October).
 Carburettor; W. F. Lietz; 30223, 18th September; (88, 2nd November).
 Carburettor; H. W. Smith and W. Young; 30241, 20th September; (88, 2nd November).
 Carburettor; J. H. Suckling; 30100, 26th August; (79, 5th October).
 Cards (see Playing-cards).
 Cargo, &c., raising, &c.; C. E. McCay; 30211, 13th September; (91, 16th November).
 Cart (see Tumbler mud-cart).
 Casement-bars; H. Schlaadt; 30070, 21st August.
 Casement, &c., fittings; J. M. Cameron; 28524, 30th September, 1910; (75, 21st September).
 Casement lock and stay; J. F. Norton; 29967, 5th August; (75, 21st September).
 Cash system, &c., pneumatic; Lamson Store Service Company (Limited); 29854, 12th July; (75, 21st September).
 Cask, &c., staves; Swift-cut Timber, Limited; 30028, 15th August.
 Castrating-appliance; D. Little; 30017, 12th August; (75, 21st September).
 Castrating-tool; G. W. McKenzie; 28336, 25th August, 1910; (65, 10th August).
 Chain-lengthening link; D. and W. Murray; 29975, 5th August; (79, 5th October).
 Chair (see Divan chair, Easy-chair, Invalid-chair, propulsion-lever).
 Charcoal-burner; J. Carr; 29812, 7th July, 1910+; (75, 21st September).
 Charcoal-burner; W. Hart and J. M. Deschamps; 30127, 31st August.
 Cheese-cutter; F. Graff; 30175, 7th September; (88, 2nd November).
 Chimney-flue; A. J. Joyce; 30133, 1st September; (88, 2nd November).
 Chine-saw; T. J. McFarlane and F. Johnson; 29894, 20th July; (72, 7th September).
 Chuck (see Rock-drill chuck).
 Churn and butter-worker; S. Hartmann; 29928, 27th July; (75, 21st September).
 Chute cut-off; P. A. Grosser; 30182, 7th September; (91, 16th November).
 Cigarette-holder; W. G. James; 30246, 22nd September; (91, 16th November).
 Cigarette-papers; J. H. G. Banks; 30058, 19th August; (79, 5th October).
 Clamp (see also Concrete-mould clamp).
 Clamp; R. K. Wotton; 29992, 7th August; (75, 21st September).
 Cleaner (see Boot-polisher; Knife-cleaner; Pot, &c., cleaner; Water-pipe cleaner).
 Climbing-apparatus (see Boot, hill-climbing).
 Clip (see Curtain ring and clip).
 Clock, electrically driven; P. A. Bentley; 29916, 13th August, 1910+; (79, 5th October).
 Clock, self-winding; T. B. Powers and Eureka Clock Company, Limited; 29882, 24th February+; (72, 7th September).
 Closet (see Sanitary-pan cover, Water-closet, &c.).

ALPHABETICAL LIST OF INVENTIONS—*continued.*

Clothes-hoist; G. Joyne and L. E. Downey; 29950, 1st August; (75, 21st September).
 Clothes-peg; W. H. Lambert; 29889, 17th July; (72, 7th September).
 Clothes-prop; E. A. Williams; 30220, 15th September.
 Clutch (see Cream-separator friction-clutch).
 Coal, &c., unloading from ships; W. C. Noakes; 30116, 30th August; (99, 1st December).
 Coal-skip lubricating; P. Martin, jun., and F. Humphries; 28387, 6th September, 1910; (72, 7th September).
 Cock (see also Stop-cock, Tap).
 Cook, combination gas and water; C. E. Hardley; 28784, 24th November, 1910; (65, 10th August).
 Composition of matter; Asbestos Sheet and Plaster Company Proprietary, Limited; 30150, 4th September; (99, 1st December).
 Concentrating-table; A. T. W. Allan; 29999, 8th August; (69, 24th August).
 Concrete-mixer; J. W. Tong; 29325, 27th March; (75, 21st September).
 Concrete-mould clamp; A. F. Bush; 30193, 12th September; (91, 16th November).
 Concrete-post fastener; T. Napier; 29350, 28th March; (58, 13th July).
 Confectionery, coated; M. Robertson; 30074, 23rd August.
 Controller (see Electrical-energy controller; Electric-car-controller handle; Electric-tension regulator; Gas-heater, regulating heat; Windmill-controller).
 Cooker (see also Steam cooker).
 Cooker, electric; J. C. P. Kirkwood; 30163, 6th September; (91, 16th November).
 Cooker, electric; H. Neville and H. N. Maddox; 30156, 5th September.
 Cooker, fireless; A. Fairburn; 30200, 11th September; (83, 19th October).
 Cooking-basket; W. E. Henderson; 30081, 22nd August; (88, 2nd November).
 Cooking-bowl holder; J. B. F. White; 30056, 17th August; (88, 2nd November).
 Cooking-range; H. Harrison; 29825, 5th July; (69, 24th August).
 Cooking-range plate-rack; T. Corlett; 29899, 18th July; (72, 7th September).
 Cool-storage safe; J. J. and S. Page; 30227, 19th September.
 Cooler (see Beer, &c., cooler).
 Cork and capsule receiver; I. Fellowes and W. West; 29815, 1st July; (62, 27th July).
 Corkscrew sprinkler; J. McLachlan; 29963, 4th August.
 Correspondence, &c., sealing; C. Bristow; 30134, 1st September; (91, 16th November).
 Corset, &c., fastening; R. M. Hahn; 29810, 1st November, 1910+; (69, 24th August).
 Counter-sales book, triplicate; C. B. Smith; 30089, 23rd August; (88, 2nd November).
 Coupling (see Hose-coupling).
 Cover (see Loose-leaf-ledger cover).
 Cow-bail fastener; F. Matthews; 29927, 27th July; (69, 24th August).
 Cow-milker (see Milking-machine).
 Cow's-tail holder; R. G. Farrelly; 29966; 5th August; (79, 5th October).
 Cramp (see also Clamp, Flooring, &c., cramp).
 Crank-extension; C. S. Bayley; 30069, 21st August.
 Crank-pin, &c., turning (see Turning crank-pins, &c.).
 Crate, knock-down; J. W. G. Beatson; 29942, 31st July; (75, 21st September).
 Cream-separator driving-apparatus; J. J. Raynes; 29822, 5th July; (69, 24th August).
 Cream-separator friction-clutch; W. Scott; 30237, 20th September; (91, 16th November).
 Crockery-washer; L. Bell; 30171, 7th September; (88, 2nd November).
 Crockery-washer; K. G. MacLennan; 30158, 5th September; (88, 2nd November).
 Crockery-washer; F. Staines; 29881, 18th July; (75, 21st September).
 Crockery-washing sink; F. Staines; 29880, 22nd September, 1910+; (75, 21st September).
 Crucible furnace; J. W. Chenhall; 29191, 1st March; (69, 24th August).
 Cupboard-door catch; C. E. Player; 30112, 28th August; (79, 5th October).
 Cultivator (see also Garden-cultivator, hand; Plough; Seed-drill cultivator-attachment).
 Cultivator, tines and points attaching; R. Douglas; 29930, 27th July; (75, 21st September).
 Curd, &c., agitator, driving-gear; J. Hopkirk; 28605, 19th October, 1910; (72, 7th September).
 Current-motor (see Water-motor).
 Curtain ring and clip; G. E. Chennells; 30215, 14th September; (88, 2nd November).

ALPHABETICAL LIST OF INVENTIONS—*continued.*

Dairy-recorder; C. Bristow; 30173, 7th September; (88, 2nd November).*

Damp-proof bag; J. J. Joyce; 30258, 27th September.

Destination-indicator (see Tram-car-destination board).

Devulcanizing rubber (see Rubber, devulcanizing).

Dish-washer (see Crockery-washer).

Disinfecting water-closet (see Water-closet, disinfecting).

Displaying (see also Advertising-display sheet, &c.).

Displaying commercial articles; H. L. Day; 28425, 13th September, 1910; (65, 10th August).

Divan chair; T. C. Clarke; 30044, 16th August.

Dock-building (see Dry-dock building).

Document-file; P. J. Gossling; 30084, 24th August; (88, 2nd November).*

Door-catch (see Cupboard-door catch).

Door, &c., latch; N. B. Levien; 30007, 11th August; (75, 21st September).*

Drain (see also Sewer).

Drain-tester; H. A. Mason; 29934, 28th July; (75, 21st September).

Drain-trap; W. W. Stewart and H. B. Gardner; 30248, 20th September; (88, 2nd November).*

Drain-trap protector; E. M. Cuthbert and F. C. P. Fiddy; 29850, 11th July; (65, 10th August).*

Drainer (see Washing basket and drainer).

Draught-attachment (see Reaper and binder draught-attachment).

Drill-chuck (see Rock-drill chuck).

Drilling-machine lubricator; C. A. Oldman; 28362, 31st August, 1910; (62, 27th July).

Dropper (see Fencing-dropper).

Dry-dock building; H. Norgrove; 29923, 22nd July; (88, 2nd November).

Drying (see Flax-drying).

Dust-extractor, pneumatic (see Vacuum cleaner).

Duster; R. Bell; 30071, 23rd August.

Dyeing wool, &c.; A. Murray; 29981, 5th August; (79, 5th October).

Ear-plate; A. G. E. Lowman; 29910, 21st July; (75, 21st September).

Easy-chair adjustment; G. E. Collins; 29212, 3rd March; (72, 7th September).*

Educational appliance; G. R. Edmonds; 29974, 19th October, 1910; (99, 1st December).

Egg-carrier; J. C. May; 28618, 21st October, 1910; (62, 27th July).

Egg-substitute; G. R. Fulyerd; 30267, 26th September; (91, 16th November).*

Ejector (see Pasteurizer and ejector).

Electric-car-controller handle; H. E. Whitfield; 30108, 26th August; (88, 2nd November).*

Electric-car wires suspending (see Trolley-ear).

Electric clock (see Clock, electrically driven).

Electric cooker (see Cooker, electric).

Electric fire-alarm (see Fire-alarm, electric).

Electric insulating-composition; H. P. Rasmussen, 28682, 4th November, 1910; (58, 13th July).

Electric-lamp holder, connecting wires to; A. T. Crosher; 28594, 14th October, 1910; (72, 7th September).

Electric motor, direct current; J. Lecoche; 28697, 8th November, 1910; (72, 7th September).

Electric ore-smelter (see Ore-smelter, electric).

Electric oscillation-circuit, &c.; E. Phillips; 30256, 26th September; (99, 1st December).

Electric-tension regulator; H. Grob; 29949, 1st August; (79, 5th October).

Electrical-energy controller; N. Harvey and N. I. Graham; 30032, 16th August; (75, 21st September).*

Elevator-buckets, attaching; J. H. Clarke; 30034, 16th August.

Engine-governor (see Marine-engine governor).

Envelope (see also Correspondence, &c., sealing; Memorandum form and envelope).

Envelope; A. E. Wilcox; 30275, 27th September; (91, 16th November).*

Evaporation of liquids; Trumble Refining Company; 29868, 14th July; (72, 7th September).

Eye-glasses (see Spectacles, &c.).

Fastener (see Axe-head fastener; Belt-fastener; Broom-head attaching; Concrete-post fastener; Corset, &c., fastener; Cow-bail fastener; Elevator-buckets, attaching; Harness-fastener; Milk-can lid, securing; Window-fastener).

Fatty acids (see Oils, fats, &c.; Unsaturated fatty-acid treatment).

Fats, extracting (see Wool-fat extracting).

Fats, treatment of (see Oils, fats, &c., treatment).

Feathering wind-sails, &c.; J. Anderson; 30024, 18th August, 1910; (99, 1st December).

ALPHABETICAL LIST OF INVENTIONS—*continued.*

Fence, danger-signal conducting; E. A. G. Hamlin; 29858, 12th July; (69, 24th August).*

Fencing-batten; W. Porch; 30142, 14th September; (83, 19th October).*

Fencing-dropper; W. Dall; 30244, 20th September; (88, 2nd November).*

Fencing-dropper; E. W. Gowdy; 30094; 25th August; (88, 2nd November).*

Fencing, &c., post; G. H. Baylis; 29986, 8th August.

Fencing-post composition; B. Ward; 30228, 19th September.

Fencing-post, concrete; W. D. Jakeman and A. H. Geary; 30141, 2nd September.

Fencing-post, concrete; T. Napier; 29350, 28th March (58, 13th July).

Fencing-standard, &c.; G. E. Cluett; 30078, 24th August; (88, 2nd November).*

Fencing-strainers (see Wire-strainers).

Fibre (see also Flax).

Fibre-tail clipper; P. Robinson and E. Wanklyn; 30102, 28th August; (79, 5th October).*

File (see Document-file).

Filler (see also Bottle-filler).

Filler, &c., for liquids; T. P. Eustege; 30271, 3rd October.

Filter (see Water-tank filter).

Fire-alarm; W. Moloney; 29959, 3rd August; (75, 21st September).*

Fire-alarm, electric; H. Neville and H. N. Maddox; 29995, 9th August.

Fire-alarm setting; E. Moss; 29993, 8th August; (69, 24th August).*

Fire-bars, &c.; J. A. Hill; 29843, 11th July; (72, 7th September).

Fire-bridge, &c.; J. A. Hill; 29843, 11th July; (72, 7th September).

Fire-lighter; W. P. Lumbye and C. F. Muntz; 29864, 13th July; (75, 21st September).*

Fireplace; J. M. Reid and W. Wills; 28442, 16th September, 1910; (75, 21st September).

Flashlight mechanism; F. J. Boucher; 29847, 19th September, 1910; (72, 7th September).

Flax (see also Fibre).

Flax-catcher; W. Seifert; 28115, 19th July, 1910; (62, 27th July).

Flax-catcher; W. Seifert; 30225, 19th September; (88, 2nd November).*

Flax-catcher; C. Suttie and M. H. Wynyard; 30187, 11th September; (88, 2nd November).*

Flax-conveyor; R. Stewart; 29969, 5th August; (79, 5th October).*

Flax-dresser; F. V. Raymond and W. O. Beere; 29807, 3rd July; (65, 10th August).*

Flax-dressing machine; C. Suttie and M. H. Wynyard; 28456, 19th September, 1910; (62, 27th July).

Flax-drying; J. R. C. and S. H. Maddren; 30054, 18th August; (79, 5th October).*

Flax-drying; The New Zealand Hemp Process and By-products Company, Limited; 28395, 7th September, 1910; (65, 10th August).

Flax-drying; M. H. Wynyard; 28365, 31st August, 1910; (65, 10th August).

Flax-scutter; W. Eggleton; 29872, 15th July; (79, 5th October).*

Flax-stripper; G. Claydon and T. Maude; 30184, 11th September; (91, 16th November).

Flax-stripper; G. Craw; 28245, 12th August, 1910; (69, 24th August).

Flax-stripper; H. Greig; 30154, 4th September; (91, 16th November).

Flax-stripper; The New Zealand Hemp Process and By-products Company, Limited; 28396, 7th September, 1910; (65, 10th August).

Flax-tow collector; C. Suttie and M. H. Wynyard; 29816, 3rd July; (65, 10th August).*

Flax-tow treatment; W. T. Sadd; 29926, 26th July; (69, 24th August).*

Flax-tow treatment; C. Suttie and M. H. Wynyard; 28539, 5th October, 1910; (65, 10th August).

Float (see Liquid-flow, Float-control).

Floor-polish; A. J. S. Blythe; 29913, 24th July; (65, 10th August).

Flooring, &c., cramp; A. Horton; 30139, 2nd September; (91, 16th November).*

Flusher (see Water-closet flusher).

Folding-machine, telegraphic, &c., forms; R. Burn; 27056, 25th May, 1910; (65, 10th August).

Folding, &c., machine, telegraph, &c., forms; S. Salek; 28157, 27th July, 1910; (65, 10th August).

Forcing-frame, collapsible; A. R. Ponder; 30166, 6th September; (91, 16th November).

Forecarriage (see Vehicle-forecarriage).

Forest devil (see Stump-extractor).

ALPHABETICAL LIST OF INVENTIONS—continued.

Forms (see Memorandum form and envelope, Folding-machine, &c.).
 Frame (see Forcing-frame, &c.).
 Fuel (see Briquette fuel, Oil fuel, &c.).
 Fuel-economizer, &c.; J. Thomas; 29846, 11th July; (72, 7th September).
 Furnace (see Boiler furnace, Crucible furnace).
 Furniture, securing panels, &c., to; S. Simons; 29817, 3rd July; (72, 7th September).
 Garden-cultivator, hand; J. Collett; 30111, 29th August.
 Garden-sprayer; R. Hellyer and I. Nelson; 28508, 28th September, 1910; (65, 10th August).
 Garment-fastener (see Corset, &c., fastener).
 Gas and water cock (see Cock, &c.).
 Gas-engine drive equalizer; J. J. Raynes; 29823, 5th July; (69, 24th August).
 Gas, &c., engine spark; J. G. Newman; 30033, 16th August.
 Gas, &c., engine timing-rod; H. W. Smith and W. Young; 30240, 20th September.
 Gas-generator; T. Shaw, jun.; 30224, 19th September; (88, 2nd November).
 Gas-heater, regulating heat; J. C. P. Kirkwood; 30106, 28th August.
 Gas-mantle (see Incandescent mantle).
 Gas-manufacture (see Acetylene-gas generator; Benzene-gas generator; Carbureting apparatus, air-; Carburetor; Petrol-gas manufacture).
 Gas-meter; A. H. Atkinson; 30235, 29th September; (91, 16th November).
 Gas-producer, J. L. and G. Scott; 29900, 21st July; (88, 2nd November).
 Gas-producer, air-valve; J. L. and G. Scott; 29887, 18th July.
 Gas-producer, tar-extractor; W. Nelson; 28813, 1st December, 1910; (72, 7th September).
 Gasometer; J. Lunn; 30294, 30th September; (88, 2nd November).
 Gate; H. C. Dix; 29973, 4th August; (72, 7th September).
 Gate, adjustable, sliding, &c.; G. L. Gilberthorpe and H. C. Marshall; 30208, 13th September.
 Gate-hinge; E. Hayes; 30091, 25th August; (88, 2nd November).
 Gate-wire strainer (see Wire-strainer, gate).
 Gear (see Boat, &c., gear; Tumbler mud-cart-lifting gear; Variable-speed gear; Windmill-gearing).
 Gold-obtaining from sand; G. R. Fellows; 30117, 30th August; (79, 5th October).
 Gold-recovery process; The Security of Holding Company; 29985, 8th August.
 Gold-saving appliance; H. Good; 30153, 4th September; (88, 2nd November).
 Grain, &c., screener; J. Dönges; 30260, 27th September.
 Guide (see Housewife's guide).
 Gumming, &c., machine, telegraph, &c., forms; S. Salek; 28157, 27th July, 1910; (65, 10th August).
 Gun-sight; F. H. Andrews; 29324, 29th May; (58, 13th July).
 Hair-pin; W. H. Parker; 29828, 6th July; (75, 21st September).
 Hammer (see Horse-shoeing hammer).
 Handle (see Kerosene-tin, &c., handle).
 Hanger-hook; J. S. de Montalk; 29827, 6th July; (75, 21st September).
 Harness-fastener; L. A. Way; 30130, 31st August; (88, 2nd November).
 Hatpin; H. Neville and H. N. Maddox; 29954, 2nd August.
 Hatpin; E. M. O'Hara; 30212, 13th September.
 Hatpin; J. Vickerstaff and D. A. Ross; 29902, 20th July.
 Hatpin-guard; W. C. Reed; 29924, 26th July; (75, 21st September).
 Hatpin-guard; S. J. Tracy; 30048, 18th August; (88, 2nd November).
 Hatpin-point guard; I. A. Blissett; 29866, 13th July; (79, 5th October).
 Hatpin-point holder; E. J. Barron; 30052, 17th August; (75, 21st September).
 Hatpin-point protector; A. G. Jorgensen; 30037, 16th August; (75, 21st September).
 Hatpin-point protector, A. G. Jorgensen; 30073, 23rd August; (75, 21st September).
 Hatpin-protector; A. M. Akers; 30016, 12th August; (83, 19th October).
 Hatpin-protector; W. H. Haswell; 29879, 15th July.
 Heater (see Gas-heater; Hot-air generator; Kettle, &c.; Urn, &c.; Water-heater).
 Heel-breasting machine (see Boot-heel-breasting machine).
 Hinge (see Gate-hinge).

ALPHABETICAL LIST OF INVENTIONS—continued.

Honeycomb-perforator; F. R. Hebley and J. H. O'Connor; 30234, 20th September; (88, 2nd November).
 Hook (see Hanger-hook, Sling-hook).
 Hopple (see Pacing-hopple).
 Horn (see Telephone-horn).
 Horses running-away, preventing; J. N. Clapham; 29848, 11th July; (83, 19th October).
 Horse-shoeing hammer; P. Tait; 30250, 21st September; (91, 16th November).
 Hose-coupling; J. Coutts; 30061, 18th August; (91, 16th November).
 Hot-air generator, &c.; J. Paterson; 27987, 28th June, 1910; (58, 13th July).
 Hot-water bag; C. S. Munro; 30104, 24th August; (99, 1st December).
 Housewife's guide; F. M. Wooller; 30010, 10th August; (75, 21st September).
 Hydraulic transmission apparatus; H. S. Hele-Shaw and F. L. Martineau; 30213, 14th September; (91, 16th November).
 Illuminating method, &c.; V. H. Mackinney and S. D. Chalmers; 30195, 12th September.
 Incandescent mantle, toughening; H. M. Keesing; 29851, 10th July.
 Incubator-egg turner; E. M. Clayton; 29989, 9th August.
 Incubator-heat regulator, electric; H. E. Ward; 30040, 12th August.
 Ink (see Printing-ink).
 Insect pests, protecting animals from; L. McLean; 29888, 15th September, 1910; (75, 21st September).
 Insulator (see Electric insulating-composition).
 Internal-combustion engine (see also Gas-engine).
 Internal-combustion engine; International Harvester Company; 30285, 29th September; (99, 1st December).
 Internal-combustion engine; W. A. Sorg; 29979, 7th August; (79, 5th October).
 Invalid-chair propulsion-lever; H. Neville and H. N. Maddox; 30169, 7th September; (88, 2nd November).
 Iron-rest (see Kitchen-iron rest).
 Jar, &c., covering (see Bottle, &c., covering).
 Kapoc-scutter; H. H. Hinds; 29957, 2nd August; (75, 21st September).
 Kerosene-tin, &c., handle; T. A. A. Taylor; 30004, 16th August.
 Kettle, &c.; J. S. Tonkin; 29901, 21st July; (75, 21st September).
 Kitchen-iron rest; K. Matthews; 30138, 2nd September; (88, 2nd November).
 Knife (see also Skiving-machine knife, Tussock-knife).
 Knife; D. H. Lea; 29935, 28th July; (72, 7th September).
 Knife-cleaner; G. G. Holmes, jun.; 30254, 22nd September.
 Knife-cleaner; R. Lang; 30230, 20th September; (88, 2nd November).
 Label, metal; J. Stewart; 29971, 3rd August; (79, 5th October).
 Lamp (see also Electric lamp, Signal-lamp).
 Lamp, oils, fats, &c., burning; A. McLeod; 29833, 7th July; (75, 21st September).
 Lamps, attaching to vehicles; W. G. Wright, P. H. Watkins, and S. A. Webber; 30269, 28th September; (91, 16th November).
 Latch (see Door, &c., latch).
 Ledger (see also Loose-leaf ledger).
 Ledger and account-book; G. S. Thomson; 30161, 4th September.
 Lid (see Milk-can lid; Oil-drum, &c., lid; Pot-lid).
 Lasting-apparatus (see Boot-lasting machine).
 Lids of cans, securing; W. Sim; 29829, 3rd July; (62, 27th July).
 Lifebelt, &c.; T. S. Gurr and R. J. Hobbs; 29859, 11th July; (72, 7th September).
 Lifting-bar; R. C. Bowick; 30029, 15th August; (79, 5th October).
 Lime, &c., preparing; H. M. Levinge; 29804, 4th October; (88, 2nd November).
 Linseed-oil substitute in paint, &c., manufacture; T. Thomson; 29842, 11th July; (75, 21st September).
 Liquid flow, float-control; W. B. D. Pominghaus; 30170, 5th September; (91, 16th November).
 Liquid-strainer, &c.; T. P. Eustege; 30271, 3rd October; (91, 16th November).
 Liquids, venting and discharging; T. F. Fitzsimons; 29856, 26th August, 1910; (72, 7th September).
 Lock (see Time-limit lock).
 Lock; H. Edgar; 30019, 11th August; (75, 21st September).

ALPHABETICAL LIST OF INVENTIONS—continued.

Lock-nut; G. A. Haydon; 29994, 9th August.
Lock-nut; H. Metcalfe; 29838, 10th July; (83, 19th October).*

Locking-mechanism; W. R. Sykes Interlocking Signal Company, Limited, R. W. Tarrant, and McKenzie and Holland, Limited; 29918, 25th July; (75, 21st September).

Loose-leaf-ledger cover; T. Foster; 29908, 22nd July; (75, 21st September).*

Loose-leaf ledger, locking; G. S. Thomson; 30088, 23rd August; (88, 2nd November).

Lubricator (see Axle-lubricator, Bearings-lubricator; Coal-skip lubricator; Drilling-machine lubricator).

Manger; H. H. L. Parker; 28050, 8th July, 1910; (58, 13th July).

Mantle (see Incandescent mantle).

Marine-engine governor; J. McIlvenna; 29909, 21st July; (88, 2nd November).

Marine works, concrete, construction; Vibroccl Company, Limited; 30137, 31st August; (91, 16th November).

Marking-machine gripper, &c.; A. H. Wright; 29874, 15th July; (65, 10th August).*

Mat, rug, &c.; C. E. Player; 29852, 10th July.

Match; W. H. Scott; 29991, 7th August.

Measure, &c., for liquids; T. P. Eustege; 30271, 3rd October.

Meat-preservation; K. Hens; 29931, 27th July; (88, 2nd November).

Meat-rail switch; J. R. Jones; 30026, 9th September; (79, 5th October).*

Medicine (see also Rheumatism, &c., cure; Toothache-cure).

Medicine; D. H. Munn; 30281, 29th September; (91, 16th November).*

Medicine, external, for animals; L. McLean; 29888, 15th September, 1910; (75, 21st September).

Memorandum form and envelope; W. H. E. Wanklyn; 30092, 24th August.

Metal, &c., worker; W. W. Skinner; 30186, 11th September; (83, 19th October).*

Metal-extraction; J. C. Smith, W. Tweedale, and T. Bransgrove; 30063, 21st August; (79, 5th October).*

Metal, rust-prevention; G. R. Fellows; 30164, 6th September; (88, 2nd November).*

Mice entering pianos, preventing; C. E. Keen; 29803, 1st July.

Micro-movements, producing, &c.; J. A. Johnsen, 29845, 11th July; (72, 7th September).

Military equipment; The Mills Equipment Company, Limited; 29917, 25th July; (75, 21st September).

Milk-can-lid securing; W. Jermyn; 30065, 21st August; (91, 16th November).*

Milk-strainer; S. V. Fulljames; 30119, 23rd August; (88, 2nd November).*

Milking-machine; E. Cameron; 30122; 31st August; (88, 2nd November).

Milking-machine; The Dominion Pressure Milking Machine Company, Limited; 27913, 17th June, 1910; (75, 21st September).

Milking-machine; A. G. Lloyd; 30172, 7th September; (88, 2nd November).*

Milking-machine; A. C. Pocock; 29903, 20th July; (69, 24th August).*

Milking-machine; A. S. Reid; 30082, 22nd August; (88, 2nd November).

Milking-machine; Ridd Milking Machine Company, Limited; 29870, 14th July; (69, 24th August).*

Milking-machine; E. Schultz; 30126, 31st August; (88, 2nd November).

Milking-machine; D. T. Sharples; 28728, 11th November, 1910; (62, 27th July).

Milking-machine divided milk-pail; T. T. Sabroe; 29976, 7th August; (79, 5th October).

Milking-machine foot-power; H. Veale; 28754, 16th November, 1910; (58, 13th July).

Milking-machine milk-receiver, &c.; F. J. Northcott; 30005, 10th August; (69, 24th August).*

Milking-machine milk-sampler; S. M. Bower; 29996, 9th August.

Milking-machine pulsator; A. W. Reid; 28319, 24th August, 1910; (62, 27th July).

Milking-machine pulsator; A. S. Reid; 29821, 5th July; (69, 24th August).*

Milking-machine pulsator; W. J. Teese; 29886, 20th July, (69, 24th August).*

Milking-machine releaser; A. W. Reid; 30129; 31st August; (79, 5th October).*

Milking-machine teat-cup; The Eureka Milking Machine Company, Limited; 29904, 22nd July; (83, 19th October).

Milking-machine teat-cup; A. S. Reid; 29820, 5th July; (69, 24th August).*

ALPHABETICAL LIST OF INVENTIONS—continued.

Milking-machine teat-cup; The Ridd Milking Machine Company, Limited; 28554, 7th October, 1910; (65, 10th August).

Milking-machine teat-cup; F. Whiley; 29915, 24th July; (75, 21st September).

Mixing-apparatus (see Concrete-mixer).

Moisture-indicating in wool (see Wool, moisture-indicator).

Motor (see Electric motor, Water-motor).

Motor-car; J. H. Suckling; 30093, 24th August; (88, 2nd November).*

Motor-cycle benzoline-tank; P. J. Griffin; 30051, 18th August; (83, 19th October).*

Motor-cycle, &c., driving-belt; E. Stace; 30113; 30th August.

Mould (see Building-block and mould, Concrete-mould clamp).

Moulding-apparatus; A. J. Beerä; 29855, 15th July, 1910; (72, 7th September).

Nail (see Spouting-nail).

Nails, &c., handling; A. Horton and J. A. Lambert; 30036, 16th August.

Nib (see Pen-nib).

Nitrogen, obtaining (see Oxides of nitrogen, obtaining).

Nitrous and nitric acid, &c., manufacture; S. A. Cobbett; 29948, 1st August.

Non-refillable bottle; J. C. Falkinder; 30155, 4th September; (91, 16th November).

Non-refillable bottle; A. G. and V. A. Jorgensen; 30236, 20th September; (88, 2nd November).*

Nose-protector for animals; W. H. Quail; 29841, 8th July; (75, 21st September).

Nut-lock (see Lock-nut).

Nutmeg-grater; R. Brennan; 30114, 29th August; (91, 16th November).*

Oil (see also Linseed-oil).

Oil-economizing in woollen goods, &c., manufacture; E. P. Wainwright; 29819, 5th July; (72, 7th September).*

Oil-drum, &c., lid; J. Stewart; 30059, 17th August; (88, 2nd November).*

Oil-feeder; L. Glanville; 30107, 28th August; (88, 2nd November).*

Oil-fuel utilization; H. Hoare and J. T. Evans; 30068, 22nd August; (79, 5th October).*

Oil-obtaining from peat, &c.; W. W. Ewbank; 30261, 27th September; (91, 16th November).*

Oils, fats, &c., raising melting-point; M. Wilbuschewitsch; 29884, 18th July; (72, 7th September).

Oils, fats, &c., treatment; The Techno Chemical Laboratories, Limited; 29824, 4th July; (69, 24th August).

Ore-smelter, electric; J. Aickin; 30231, 16th September.

Ore-treatment (see Sulphide-ores, wet dressing).

Oxides of nitrogen, obtaining; W. A. Phillips and J. G. Bulteel; 30242, 20th September; (99, 1st December).

Oxides of nitrogen, obtaining; W. A. Phillips and J. G. Bulteel; 30243, 20th September; (99, 1st December).

Pacing-hopple; J. W. Trist and G. M. Small; 30229, 19th September; (88, 2nd November).*

Packing-ring; D. M. Gillies; 30086, 25th August; (88, 2nd November).*

Pianos, rendering, mice-proof (see Mice entering pianos, preventing).

Paint, &c., brush attachment; E. J. Garrett; 29951, 2nd August.

Paint, &c., manufacture, linseed-oil substitute; T. Thomson; 29842, 11th July; (75, 21st September).

Pasteurizer and ejector; A. Burt; 30053, 17th August; (83, 19th October).*

Peanut-roaster; A. O. Goulet; 28500, 28th September, 1910; (72, 7th September).*

Peat-gathering, &c.; The Peat Coal Investment Company, Limited; 30210, 12th September; (91, 16th November).

Peg-top and spinner; V. B. Forbes and R. E. N. Matthews; 29998, 7th August.

Pen-nib, reservoir; J. Sharp, jun., and F. L. Peterson; 30118, 30th August; (83, 19th October).

Pencil-sharpener; M. Carson, jun., and E. B. Hardie; 29932; 24th July; (75, 21st September).

Pencil-sharpener; R. C. Morgan and W. Bennet; 30087, 24th August.

Petrol-gas manufacture; F. W. Newman and W. V. Henderson; 29925, 22nd July; (75, 21st September).

Petrol-gas manufacture; H. P. Williden; 29861, 11th July; (72, 7th September).

Phonograph (see Talking-machine).

Pictures, &c., displaying (see Displaying commercial articles).

Pictures, &c., hanging; K. L. Bromwich; 30273, 27th September; (91, 16th November).*

ALPHABETICAL LIST OF INVENTIONS—*continued.*

Pile; H. G. Williams; 29955, 2nd August.
 Pile-shoe; M. Kahn; 30194, 12th September; (91, 16th November).
 Pipe (see Wood-stave pipe).
 Pipe-cleaner (see Water-pipe cleaner).
 Plan (see Booking plan and ticket).
 Plate-rack (see Cooking-range plate-rack).
 Playing-cards; M. Wilkinson; 30022, 14th August; (75, 21st September).
 Plough; W. McRae; 28366, 31st August, 1910; (69, 24th August); (69, 24th August).
 Plough-attachment; A. T. Church; 29940, 31st July; (79, 5th October).
 Plough-lever; G. W. Hutchinson; 30047, 18th August; (83, 19th October).
 Plough, reversible disc; P. A. Nikolaisen; 28546, 5th October, 1910; (72, 7th September).
 Plough share and point; P. P., P., and T. McDermott; 29929, 27th July; (72, 7th September).
 Plough-steering, &c., apparatus; G. W. Hutchinson; 30047, 18th August; (83, 19th October).
 Plough tussock-knife; A. Cooper; 29863, 13th July; (83, 19th October).
 Pocket (see Trouser, &c., hip pocket).
 Polish (see Floor-polish).
 Polo-club; H. W. Downing; 30105, 28th August; (88, 2nd November).
 Pontoon, &c., construction (see Marine works, &c.).
 Post (see Concrete-post fastener; Fencing-post, concrete).
 Postal pillar-box; G. J. Bertinshaw, T. Wilson, C. McArthur, and J. Hutcheson; 29818, 5th July; (72, 7th September).
 Pot, &c., burning, prevention; S. Black; 30018, 11th August.
 Pot, &c., cleaner; A. P. Stewart; 28437, 15th September, 1910; (58, 13th July).
 Pot-lid; A. L. J. Tait; 29837, 5th July; (69, 24th August).
 Potash, &c., preparing; H. M. Levinge; 29804, 4th October; (88, 2nd November).
 Potato-harvester; H. J. Daniels; 30077, 23rd August.
 Potato-planter; T. Balfour; 28530, 4th October, 1910; (75, 21st September).
 Potato-planter; E. Wall; 29892, 23rd July, 1910; (75, 21st September).
 Preserving meat (see Meat-preservation).
 Press (see Band-press, Boot-press).
 Printing-ink manufacture; R. C. Child; 29883, 18th July; (75, 21st September).
 Projectile, firing; F. Sewell; 29938, 28th July; (72, 7th September).
 Propeller; E. Woodward; 27889, 30th August, 1910; (69, 24th August).
 Pulsator (see Milking-machine pulsator).
 Punch; J. Coombe; 29964, 4th August; (75, 21st September).
 Pyroigneous acid, preparing acetate of soda, &c., from (see Acetate of soda, &c., preparing).
 Railway-sleeper; W. R. D. Innes; 30035, 16th August.
 Railway, suspended (see Aerial railway).
 Railway-tablet exchanging; F. Roberts; 28734, 15th November, 1910; (75, 21st September).
 Range (see Cooking-range).
 Rat-trap; R. G. Ralph; 28577, 13th October, 1910; (72, 7th September).
 Reaper and binder draught-attachment; J. Stewart; 30011, 10th August; (79, 5th October).
 Reaping-machine; W. T. Fowler; 29885, 18th July; (65, 10th August).
 Reaping-machine ear-lifter; W. Patchett; 29853, 11th July.
 Record (see Talking-machine record-repeating attachment).
 Record-making (see Sound-record manufacture).
 Reinforced-concrete construction (see Bonding-stirrup, &c.).
 Reinforcing buildings, &c.; H. Dennis, C. G. Sheppard, and R. O. Watts; 30259, 27th September.
 Rheumatism, &c., cure; S. Burrows; 29877, 26th September; (83, 19th October).
 Rifle-bucket; T. W. Ryan; 29867, 14th July; (75, 21st September).
 Road-grader, &c.; A. Fibbes and J. A. C. Clyma; 30278, 28th September; (91, 16th November).
 Road-metal spreader; T. Bastin and J. McCarty; 28341, 26th August, 1910; (58, 13th July).
 Rock-drill chuck; W. E. Harding and J. Hunter; 29945, 1st August; (83, 19th October).
 Rolling of ship's cabin, &c., preventing; D. S. Cochran and J. A. Webb; 30009, 10th August; (75, 21st September).
 Roofing buildings; J. A. Haswell, A. G. Hoar, and J. Cairncross; 28454, 19th September, 1910; (65, 10th August).

ALPHABETICAL LIST OF INVENTIONS—*continued.*

Rowing-seat, sliding; P. Fischback; 30247, 16th September.
 Rubber, devulcanizing; S. R. Trevor; 29905, 22nd July; (69, 24th August).
 Rug, mat, &c.; C. E. Player; 29852, 10th July.
 Ruler; F. Rose and L. H. Evans; 29943, 1st August.
 Rusting of metal, preventing (see Metal, rust-prevention).
 Saddle; H. W. Downing; 30226, 19th September; (91, 16th November).
 Saddle-attachment; A. G. McPhail; 30181, 5th September; (88, 2nd November).
 Saddle, basket-support; E. A. Allan; 28443, 16th September, 1910; (72, 7th September).
 Safe (see Cool-storage safe).
 Sales-recorder; G. Livingston; 30143, 1st September; (99, 1st December).
 Sampler (see Milking-machine milk-sampler).
 Sanitary-pan cover; W. F. Roberts; 30151, 4th September.
 Sash (see Window reversible sash).
 Saucepan (see Pot).
 Sausage-machine; J. Oliver and A. C. Anderson; 30262, 27th September; (91, 16th November).
 Saw (see Chine-saw, Stone-cutting saw).
 Saw; B. Speight; 30251, 26th September; (91, 16th November).
 Saw, portable power-operated; M. Goehler; 30160; 6th September; (91, 16th November).
 Sawbench-return feed; J. O'Neill; 30149, 1st September; (91, 16th November).
 Scaffolding-bracket; W. E. H. de Baugh; 30115, 30th August; (83, 19th October).
 Scissors, &c.; F. J. W. Fear; 28950, 5th January; (69, 24th August).
 Scoop; J. Henry; 30216, 13th September; (91, 16th November).
 Screen (see Grain, &c., screener; Wind-screen, &c.).
 Scrubber (see Gas-producer, Tar-extractor).
 Scutcher (see Flax-scutcher, Kapoc-scutcher).
 Sea-sounding (see Sounding-apparatus, sea).
 Sealing, &c., forms (see Correspondence, &c., sealing; Gumming, &c., machine).
 Seat (see Rowing-seat, sliding; Water-closet seat).
 Seed-drill cultivator-attachment; J. H. Fraser; 29891, 20th July; (75, 21st September).
 Seed-thresher; J. Shuker; 29896, 19th July; (69, 24th August).
 Separator (see Cream-separator).
 Sewer, &c., lining; J. Pearson and H. A. Thompson; 30201, 13th September.
 Sewing-machine (see also Boot-inseam-sewing machine, Boot-sole-sewing machine).
 Sewing-machine attachment; J. Gale; 30221, 16th September; (88, 2nd November).
 Sewing-machine, cotton-supply; E. M. Clarke; 29960, 2nd August; (75, 21st September).
 Sewing wool-bales; W. Hassall; 30219, 14th September; (88, 2nd November).
 Sewing wool-bales; R. E. Naismith; 30252, 21st September; (88, 2nd November).
 Shackle (see Swingletree-shackle).
 Shears, &c.; F. J. W. Fear; 28950, 5th January; (69, 24th August).
 Sheep, &c., brand; E. J. Garrett; 30012, 12th August; (79, 5th October).
 Sheep-shearing machine; Wolseley Sheep Shearing Machine Company, Limited; 30110, 29th August.
 Shelf-bracket, movable; M. F., G. F., and W. F. Loundar; 30204, 13th September; (91, 16th November).
 Ship, steering, &c.; F. Geddes; 30189, 9th September; (88, 2nd November).
 Ship, suction, &c., propelled; F. Jensen; 30021, 11th August; (79, 5th October).
 Ship's cabin, &c., rolling preventing (see Rolling of ship's cabin, &c., preventing).
 Ship, coal-unloading, &c. (see Coal-unloading, &c.).
 Shirt; M. Dalley; 30080, 22nd August.
 Shoe (see Boot, Pile-shoe).
 Shoot (see Chute).
 Shovel (see Spade).
 Sight (see Gun-sight).
 Sign, illuminated; E. H. and H. Scott; 30144, 2nd September.
 Signal-lamp, hand; D. P. O'Hern; 30043, 15th August; (83, 19th October).
 Signalling (see Fence, danger-signal conducting; Locking mechanism).
 Sink (see Crockery-washing sink).
 Skiving-machine-cutter mounting; J. B. Salmond and E. W. Roy; 30282, 28th September.
 Skiving-machine knife, &c.; H. J. Pallett; 30103, 24th August; (91, 16th November).
 Sleeper (see Railway-sleeper).

ALPHABETICAL LIST OF INVENTIONS—continued.

Sling-hook; J. J. Connolly; 30140, 2nd September.
 Sluicing-apparatus, centrifugal; A. Ponten; 30147, 1st September; (91, 16th November).
 Smoke-consumer, &c.; J. Thomas; 29846, 11th July; (72, 7th September).
 Snatch-block; A. Colligan; 29808, 3rd July; (62, 27th July).
 Soap-tablet, advertising, &c. (see Advertising soap-tablet).
 Soda (see Acetate of soda).
 Soldering cans (see Can-solderer).
 Sound-amplifier (see Talking-machine trumpet).
 Sound-record manufacture; American Graphophone Company; 30041, 17th August; (88, 2nd November).
 Sounding-apparatus, sea; W. J. Hamon; 30090, 22nd August; (83, 19th October).
 Spade, &c., footpiece; J. Robertson; 30003, 8th August.
 Spade, &c., tread; T. H. Whimp; 30042, 17th August.
 Spanner; F. J. Brown; 30188, 11th September; (91, 16th November).
 Spark-arrester; J. W. H. Fredric, J. H. Butcher, and P. W. Wilson; 30045, 18th August; (91, 16th November).
 Spark-arrester; G. D. Gow; 30179, 6th September; (88, 2nd November).
 Spark-arrester; J. A. Hill; 30185, 11th September.
 Spectacles, &c.; L. Courlander; 30152, 4th September; (88, 2nd November).
 Speed reducing and multiplying (see Variable-speed gear).
 Spouting-bracket; W. J. Branigan; 29939, 28th July; (75, 21st September).
 Spouting-bracket; C. J. Cooze; 29809, 3rd July; (62, 27th July).
 Spouting-nail; W. H. Scott, 29990, 7th August.
 Sprayer (see Garden-sprayer).
 Spring, perambulator, &c.; A. Thompson; 29920, 24th July; (75, 21st September).
 Spring, pneumatic stud for vehicles; E. B. Killen; 30067, 22nd August.
 Sprinkler (see Corkscrew sprinkler).
 Starting-barrier; D. M. Robertson; 30096, 26th August; (79, 5th October).
 Steam-boiler (see Boiler).
 Steam-cooker; E. T. Everton; 29844, 11th July; (75, 21st September).
 Steam-generator; H. A. Turnbull, G. F. F. Davis, and A. J. B. Turnbull; 30123, 31st August; (79, 5th October).
 Steam-valve; W. M. Jamieson; 30162, 6th September; (88, 2nd November).
 Steering (see Ship, steering).
 Stone-cutting saw; J. J. Smith; 30121, 31st August.
 Stop-cock; J. T. Hopkins; 29873, 15th July; (72, 7th September); (79, 5th October).
 Strainer (see Liquid-strainer, &c.; Milk-strainer; Tea infuser and strainer; Wash-strainer; Washing basket and drainer; Wire-strainer).
 Strap (see Box-strap, &c.).
 Stripper (see Flax-stripper).
 Stump-extractor; A. Donehue; 30239, 21st September; (88, 2nd November).
 Stump-extractor; G. and F. W. Philpot; 28335, 25th August, 1910; (75, 21st September).
 Sulphide-ores, wet dressing; B. S. Smith; 29953; 2nd August.
 Suppository; the British Drug Houses, Limited; 30031, 14th August; (83, 19th October).
 Suspension bridge; J. Dawson; 28662, 2nd November, 1910; (75, 28th September).
 Swingletree; E. J. Kee; 29921, 24th July; (75, 21st September).
 Swingletree-shackle; G. T. Allen; 29832, 8th July.
 Switch (see Meat-rail switch, Transformer-switch).
 Syringe, medicinal, &c.; G. P. Marshdale; 30079, 22nd August.
 Table (see Billiard-table, Concentrating-table).
 Tablet-changing apparatus (see Railway-tablet exchanging).
 Talking-machine; A. C. Diehl; 30263, 27th September; (99, 1st December).
 Talking-machine; A. C. Diehl; 30264, 27th September; (99, 1st December).
 Talking-machine record-repeating attachment; T. M. Abbott; 30283, 29th September; (91, 16th November).
 Talking-machine trumpet; J. M. Landon; 28264, 16th August, 1910; (62, 27th July).
 Tank (see Motor-cycle benzolene-tank, Water-tank).
 Tap (see also Cock).
 Tap; D. Brown; 30014, 12th August; (79, 5th October).
 Tar-extractor (see Gas-producer, Tar-extractor).
 Tea infuser and strainer; J. Wylie; 29165, 21st February; (62, 27th July).
 Tea-packing machine; C. A. Green and W. Morris; 30205, 13th September.

ALPHABETICAL LIST OF INVENTIONS—continued.

Teapot; K. L. Bromwich; 29834, 7th July; 69, 24th August).
 Teat-cup (see Milking-machine teat-cup).
 Telegraphy (see Wireless telegraphy).
 Telephone-call recorder; E. H. Bridge; 30279, 28th September; (99, 1st December).
 Telephone-horn; F. A. Boyd; 29269, 15th March; (65, 10th August).
 Thermostat; E. Moss; 30191, 11th September; (88, 2nd November).
 Thresher (see also Seed-thresher).
 Thresher-feed mechanism; P. W. Sides; 30196, 12th September.
 Ticket (see Booking plan and ticket).
 Tie-bar (see Bonding-stirrup, &c.).
 Time-limit lock; E. C. Reynolds; 30238, 19th September; (99, 1st December); (99, 1st December).
 Tip-wagon; J. Macalister; 29839, 7th July; (69, 24th August).
 Tire; J. Schadick; 29914, 20th July.
 Tire-cover; W. J. Courtenay; 30136, 31st August; (88, 2nd November).
 Tire-cover; E. Larcomb; 29988, 8th August; (72, 7th September).
 Tire-cover; W. H. J. Wilson and S. Moody; 29890, 20th July.
 Tire, pneumatic; I. L. McLuckie; 30057, 17th August; (79, 5th October).
 Toaster; H. Kensington; 29813, 3rd July.
 Toaster; H. Simpson; 30199, 11th September.
 Tongs; H. Neville and H. N. Maddox; 30001, 10th August; (75, 21st September).
 Tootache-cure; M. W. P. Blathwayt; 30095, 25th August; (83, 19th October).
 Top (see Peg-top and spinner).
 Torch (see Lamp, oils, fats, &c., burning).
 Totalizator; A. James; 28158, 27th July, 1910; (65, 10th August).
 Totalizator; D. M. Robertson; 30097, 26th August; (79, 5th October).
 Totalizator; T. E. Ward and J. Grant; 29956, 20th September, 1910; (79, 5th October).
 Tow-treatment (see Flax-tow treatment).
 Towel-roller; H. Simpson; 30253, 21st September.
 Tramcar-destination board; J. S. Wearn; 29878, 17th July; (72, 7th September).
 Tramcar guard rail; T. Goodall; 30265, 26th September; (91, 16th November).
 Tramcar-route recorder; J. S. Wearn; 29830, 6th July; (62, 27th July).
 Tramway-track points; J. Bellve and T. W. Potts; 28528, 3rd October, 1910; (75, 21st September).
 Transformer-switch; C. W. Brandon; 30039, 14th August; (75, 21st September).
 Trap (see Animal-trap, Drain-trap, Rat-trap).
 Trap-protector (see Drain-trap protector).
 Tree-felling means; A. Hill and T. Maude; 12th August; (83, 19th October).
 Trolley-ear; F. Ansdell; 30197, 12th September; (88, 2nd November).
 Trolley-ear; C. A. Green; 30206; 13th September; (91, 16th November).
 Trouser-stretcher; A. E. Green; 29907, 22nd July; (69, 24th August).
 Trouser, &c., hip pocket; J. C. Ferry; 30266, 27th September.
 Trumpet (see Talking-machine trumpet).
 Tumbler mud-cart-lifting gear; H. Butcher; 30146, 1st September; (91, 16th November).
 Turning crank-pins, &c.; F. S. Marchant; 29978, 7th August; (72, 7th September).
 Tussock-knife (see Plough tussock-knife).
 Typewriter, manuscript-holder; J. Burns Electro Plate Company, Limited; 30176, 7th September.
 Umbrella; F. W. Rasmussen; 30049, 18th August; (83, 19th October).
 Unsaturated fatty-acid, &c., treatment; E. N. Waters; 30050, 16th August.
 Urn, &c.; J. S. Tonkin; 29901, 21st July; (75, 21st September).
 Vacuum chamber; J. Denniss and W. L. Fidler; 30209, 13th September; (91, 16th November).
 Vacuum cleaner; E. W. Hursthouse; 30249, 23rd September; (91, 16th November).
 Vacuum cleaner; R. S. Rutherford; 30060, 18th August; (91, 16th November).
 Vacuum cleaner, &c.; Lamson Store Service Company, Limited; 29854, 12th July; (75, 21st September).
 Vacuum sweeper; A. H. Smith; 30168, 7th September; (91, 16th November).

ALPHABETICAL LIST OF INVENTIONS—*continued.*

Valve (see Gas-producer air-valve, Steam-valve).
 Variable-speed gear; A. R. Bannister and T. G. Johns; 29970, 31st July; (75, 21st September).
 Variable-speed gear; A. F. Bronner and A. A. Quick; 30124, 31st August; (88, 2nd November).
 Variable-speed gear; T. Foster; 30038, 15th August; 83, 19th October).
 Variable-speed gear; J. F. Wilson; 30284, 29th September; (91, 16th November).
 Vehicle-forecarriage; E. A. Deumer, K. F. Muller, and A. Whybrow; 29982, 8th August; (79, 5th October).
 Vehicle-forecarriage; J. H. Hutchinson; 29968, 3rd August.
 Vehicle-wheel, resilient; T. Grace and J. O'Reilly; 30125, 31st August; (88, 2nd November).
 Venetian-blind; J. Arnaboldi; 29972, 4th August.
 Vessel (see Ship).
 Vesselizer; H. J. Richards and R. B. Pyle; 30157, 4th September; (83, 19th October).
 Wash-strainer; H. Leith; 29911, 24th July.
 Washing basket and strainer; R. F. Marsh; 29947, 1st August.
 Washing crockery (see Crockery-washing).
 Washing wool (see Wool-washing machine).
 Water and gas cock (see Cock, &c.).
 Water-closet, disinfecting; C. E. Keen; 29802, 1st July; (83, 19th October).
 Water-closet flusher; the Chilton Flusher Company, Limited; 29849, 11th July.
 Water-closet flusher, silent; J. and A. Fear; 30178, 7th September; (91, 16th November).
 Water-closet seat; W. H. Noone and R. O. Trewarthen; 29941, 31st July.
 Water-heater; J. J. Raynes; 29912, 24th July; (75, 21st September).
 Water-heater, &c.; J. Paterson; 27987, 28th June, 1910; (58, 13th July).
 Water-motor, current; Current Motor Company; 29869, 14th July; (72, 7th September).
 Water-pipe cleaner; R. P. Hill; 29156, 20th February; (65, 10th August).
 Water-power developer; H. H. Shaw; 30222, 14th September; (91, 16th November).
 Water, securing clean; W. Bailey; 29946, 1st August; (75, 21st September).
 Water-tank filter; C. Burrige and J. F. Jones; 29897, 21st July; (72, 7th September).
 Water-wheel; W. C. R. Cantelin; 29952, 2nd August; (75, 21st September).
 Waterproofing buildings; R. J. Redick; 30055, 17th August; 88, 2nd November).
 Waxes (see Oils, fats, &c.).
 Weed-destroyer; W. H. Harrison; 29835, 7th July; (72, 7th September).
 Weed-eradicator; H. G. Daikee; 29875, 17th July; (79, 5th October).
 Weed, &c., lifting machine; F. J. Stevenson; 29958, 2nd August; (75, 21st September).
 Well-sinking apparatus (see Boring-pipes, &c., withdrawing).
 Wet back for steam-boiler (see Boiler wet back).
 Wheel (see Barrow-wheel; Vehicle-wheel, resilient; Water-wheel).
 Whip-attachment; E. M. Kirkwood; 29801, 1st July; (65, 10th August).
 Whiplertree (see Swingletree).
 Wind-screen, rotary; J. E. Hayman; 30218, 9th September; (91, 16th November).
 Windmill-controller; H. Voss; 28673, 3rd November, 1910; (75, 21st September).
 Windmill-gearing; Booth, Macdonald, and Co., Limited; 29826, 6th July; (62, 27th July).
 Window-fastener; W. Sandlant; 29933, 26th July; (79, 5th October).
 Window-hanging, &c., fittings; J. M. Cameron; 28524, 30th September, 1910; (75, 21st September).
 Window, reversible sash; B. J. Brownjohn; 29944, 1st August; (83, 19th October).
 Wire-strainer; W. B. Alland; 30203, 13th September; (88, 2nd November).
 Wire-strainer; E. Hayes; 30062, 21st August; (83, 19th October).
 Wire-strainer; J. Howell; 29906, 20th July.
 Wire-strainer; G. M. Hunter; 30030, 14th August.
 Wire-strainer; W. Massey; 29862, 13th July.
 Wire-strainer, gate; G. Carrington; 28603, 18th October, 1910; (72, 7th September).
 Wireless-telegraphy-station connections; E. Phillips; 30257, 26th September; (99, 1st December).
 Wood, &c., worker; W. W. Skinner; 30186, 11th September; (83, 19th October).*

ALPHABETICAL LIST OF INVENTIONS—*continued.*

Wood-stave pipe; the Australian Wood Pipe Company, Limited; 30202, 13th September; (99, 1st December).
 Wool-bale, reclosing; J. H. Hawkes; 30270, 27th September; (88, 2nd November).
 Wool-bale, sewing (see Sewing wool-bales).
 Wool-dyeing (see Dyeing wool, &c.).
 Wool-fat extracting; F. W. Grigg; 30276, 29th September; (91, 16th November).
 Wool, moisture-indicator; F. F. Simpson; 28351, 30th August, 1910; (58, 13th July).
 Wool scouring, &c., preparation; L. Shaw; 28978, 11th January; (75, 21st September).
 Wool-washing machine; J. R. Jones; 30098, 26th August; (83, 19th October).
 Woollen-goods manufacture (see Oil-economizing in, &c.).
 Wrapper; S. Bartlett; 29860, 11th July; (79, 5th October).
 Wreck-locater; H. M. Levinge; 29987, 8th August; (83, 19th October).
 Zinc-desulphurization; H. Pape; 30217, 14th September; (99, 1st December).

Alphabetical List of Applicants for Registration of Trade Marks

ALPHABETICAL List of Applicants for registration of Trade Marks for quarter ended 30th September, 1911 (including also applications lodged prior to but gazetted during such quarter). The first number and date are those of the application, the second those of the *Gazette*.

* Denotes a prior date under the International and Intercolonial Arrangements.

Abingdon-Ecco Limited, Birmingham, England; (22); 9443, 10th March; 62, 27th July.
 Aitchison, Steans, and Co., Christchurch, New Zealand; (12), (50); 9908, 9909, 12th September; 75, 21st September.
 Alder and Mackay, Edinburgh, Scotland, and Wellington, New Zealand; (8); 9820, 10th August; 72, 7th September.
 Allinson and Co., Northampton, England; (38); 9942, 28th September; (91, 16th November).
 Anderson, D. and J., Limited, Glasgow, Scotland; (24); 9759, 10th July; 62, 27th July.
 Auckland Camera Company (see E. S. Pegler).
 Austin Motor Company, Limited, Birmingham, England; (22); 9774, 13th July; 62, 27th July.
 Australian Manufacturing and Importing Company, Limited, Sydney, New South Wales; (18); 9808, 4th August; 72, 7th September.
 Barnett, W., Christchurch, New Zealand; (3); 9925, 19th September.
 Barraclough Herbal Proprietary, Wellington, New Zealand; (3); 9868, 9869, 26th August.
 Barraclough Herbal Proprietary, Wellington, New Zealand; (3); 9870, 26th August; 75, 21st September.
 Baxter Bros. and Co., Limited, Dundee, Scotland; (27); 9776, 14th July; 65, 10th August.
 Bell's United Asbestos Company, Limited, London, England; (17); 9880, 29th August; 72, 7th September.
 Bewley Limited, Sydney, New South Wales; (6); 9764, 11th July; (91, 16th November).
 Bird, A., and Sons, Limited, Birmingham, England; (42); 9912, 12th September; (91, 16th November).
 Bird, M. J., Wellington, New Zealand; (3); 9787, 9788, 21st July; 65, 10th August.
 Bond and Bell, Auckland, New Zealand; (2); 9807, 3rd August; 75, 21st September.
 Bond and Bell, Auckland, New Zealand; (47); 9875, 29th August; 72, 7th September.
 Bostock, E., and Co., Limited, Stafford, England; (38); 9923, 9924, 19th September.
 Bostock, F., Northampton, England; (38); 9928, 9929, 21st September.
 Brace, Windle, Blyth, and Co., Limited, Dunedin, New Zealand; (50); 9943, 29th September.
 Bradbury, Greatorex, and Co., Limited, London, England; (38); 9806, 1st August; 69, 24th August.
 British Drug Houses, Limited, London, England; (3); 9838, 16th August; 69, 24th August.
 British Patent Perforated Paper Company, London, England; (48); 9769, 9770, 9771, 12th July; 62, 27th July.
 British Patent Perforated Paper Company, London, England; (48); 9935, 9936, 27th September.
 Brown, Barrett, and Co. (see A. M. Geddes).

APPLICANTS FOR REGISTRATION OF TRADE MARKS—*contd.*

Brown, W. W., Portsmouth, England; (38); 9804, 1st August; 69, 24th August.

Burns, J., Electro Plate Company, Limited, Wellington, New Zealand; (50); 9900, 9th September.

California Fruit Cannery Association, San Francisco, United States America; (42); 9757, 5th July.

Canterbury (New Zealand) Seed Company, Limited, Christchurch, New Zealand; (42); 9748, 1st July; 58, 13th July.

Canterbury (New Zealand) Seed Company, Limited, Christchurch, New Zealand; (42); 9793, 25th July; 65, 10th August.

Canvassers' and Travellers' Commercial Agency, Auckland, New Zealand; (); 9794, 27th July.

Cardwell, H., and Sons, Limited, Manchester, England; (50); 9893, 4th September.

Carson, A., Masterton, New Zealand; (47); 9783, 20th July.

Castle, F., Wellington, New Zealand; (48); 9815, 8th August; 69, 24th August.

Chalmers Motor Company, Detroit, United States America; (22); 9790, 25th July; 72, 7th September.

Church and Co., Northampton, England; (38); 9427, 2nd March; 69, 24th August.

Clarke, H. G., and Co., Auckland, New Zealand; (42); 9847, 18th August.

Clayton, C. J., Rangitata, New Zealand; (42); 9784, 20th July.

Clayton, C. W., Wanganui, New Zealand; (38); 9906, 11th September.

Columbia Phonograph Company (Gen'l), New York, United States America, and London, England; (8); 9816, 9th August.

Cuff, H. M., Auckland, New Zealand; (3); 9871, 18th July; 65, 10th August.

Dahl, C., and Co., Limited, Palmerston North, New Zealand; (7); 9891, 1st September.

Daimler Motoren Gesellschaft, Stuttgart, Germany; (6), (22), (13); 9858, 9859, 9860, 24th August; 72, 7th September.

Datson, J. C., and another, "Messana and Co.," Hamilton, New Zealand; (48); 9850, 19th August.

Dennison, M. U., Dunedin, New Zealand; (38); 9884, 31st August.

Denniston, G. T., Dunedin, New Zealand; (42); 9852, 21st August; 72, 7th September.

Dick, Kerr, and Co., Limited, London, England; (13); 9911, 12th September; 75, 21st September.

Dillimore, L., Auckland, New Zealand; (13); 9749, 1st July.

Dixon, E. S., Palmerston North, New Zealand; (42); 8690, 22nd April, 1910; 62, 27th July, 1911.

Dixon, E. S., Palmerston North, New Zealand; (44); 9765, 12th July; 65, 10th August.

Dixon, E. S., Palmerston North, New Zealand; (42); 9766, 12th July; 65, 10th August.

Dixon, E. S., Palmerston North, New Zealand; (16); 9767, 12th July; 69, 24th August.

Dixon, E. S., Palmerston North, New Zealand; (44); 9768, 12th July; 62, 27th July.

Dodge, M. H., "Remington Arms-Union Metallic Cartridge Company," New York, United States America; (19), (20); 9895, 9896, 6th September.

Douglass, W., "W. C. Douglass," Sydney, New South Wales; (42); 9753, 4th July.

Douglass, W. C. (see W. Douglass).

Dudfield, W. G., Melbourne, Victoria; (35); 9845, 17th August; 72, 7th September.

Eady, A., and Co., Auckland, New Zealand; (9); 9772, 13th July; 65, 10th August.

Eady, A., and Co., Auckland, New Zealand; (39); 9773, 13th July; 62, 27th July.

Eaton, A. J., Hastings, New Zealand; (50); 9785, 20th July.

Eaton, A. J., Hastings, New Zealand; (50); 9920, 16th September.

Ehrich and Graetz, Berlin, Germany; (18); 9779, 18th July; 65, 10th August.

Elgin National Watch Company, Elgin, United States America; (10); 9824, 14th August.

Ellis, A., and another, Auckland, New Zealand; (50); 9751, 4th July; 62, 27th July.

Ellis and Manton, Wellington, New Zealand; (42); 9791, 9792, 25th July; 65, 10th August.

Fewell, R., Paeroa, New Zealand; (44); 9782, 20th July; 65, 10th August.

Fimister, J., Auckland, New Zealand; (); 9921, 18th September.

APPLICANTS FOR REGISTRATION OF TRADE MARKS—*contd.*

Geddes, A. M., "Brown, Barrett, and Co.," Auckland, New Zealand; (42); 9931, 22nd September.

Gibson, W. H., Wanganui, New Zealand; (2); 9853, 21st August.

Gilberd, J. B., and Sons, Limited, Wanganui, New Zealand; (47); 9830, 14th August; 69, 24th August.

Gilbey, W. and A., Limited, London, England; (43); 9888, 31st August.

Gilbey, W. and A., Limited, London, England; (43); 9889, 31st August; 72, 7th September.

Gilmour and Bardsley, Wellington South, New Zealand; (42); 8730, 13th May, 1910; 65, 10th August.

Glyco Metal Company, Limited, Manchester, England; (5); 9879, 29th August; 72, 7th September.

Gollin and Co. Proprietary, Limited, Wellington, New Zealand; (1); 9802, 29th July; 69, 24th August.

Goodrich, B. F., and Co., Akron, United States America; (40); 9861, 24th August.

Gough, F., Hokitika, New Zealand; (3); 9918, 14th September.

Gould, H. T., Seatoun, New Zealand; (3); 9813, 8th August; 69, 24th August.

Granville, J., Wanganui, New Zealand; (43); 8786, 4th June, 1910; 65, 10th August.

Hahn, M. M., London, England; (38) 9795, 9796, 27th July; 65, 10th August.

Hahn, M. M., London, England; (38); 9797, 9798, 9799, 27th July; 72, 7th September.

Heathcoat, J., and Co., London and Tiverton, England; (31); 9930, 21st September; 91, 16th November.

Heer and Co., Thalwil, Switzerland; (31); 9818, 9th August; 69, 24th August.

Heinz, H. J., and Co., Pittsburg, United States America; (42); 9811, 9812, 8th August.

Hill and Barton, Wellington, New Zealand; (42); 9758, 6th July; 62, 27th July.

Hill and Plummer, Limited, Auckland, New Zealand; (1), (15); 9760, 9761, 11th July; 65, 10th August.

Holzapfels, Limited, Newcastle-on-Tyne, England; (1); 9805, 1st August.

Homocea, Limited, London, England; (2); 9835, 15th August; 69, 24th August.

Homocea, Limited, London, England; (3); 9836, 15th August.

Homocea, Limited, London, England; (3); 9834, 15th August; 72, 7th September.

Householders' Co-operative Supply (see H. L. Young).

Houten (see Van Houten).

Hume, E. F., Dunedin, New Zealand; (38); 9898, 7th September; 75, 21st September.

Hyam, M., Wholesale Clothing Company, Limited, London, England; (38); 9842, 17th August; 69, 24th August.

Imperial Export Company, Limited, Toronto, Canada, and Auckland, New Zealand; (4); 9831, 15th August; 75, 21st September.

Indianola Proprietary Company (see O. S. H. Wall).

Jack, J. W., Wellington, New Zealand; (50); 9756, 4th July; 58, 13th July.

Jakins, W. H., Christchurch, New Zealand; (42); 9848, 18th August.

Kaipoi Woollen Manufacturing Company, Limited, Christchurch, New Zealand; (38); 9919, 15th September.

Keystone Watch Case Company, Philadelphia, United States America; (10); 9825, 9826, 9827, 9828, 9829, 14th August.

Kura-kut Manufacturing Company, Auckland, New Zealand; (50); 9832, 15th August; 69, 24th August.

Laidlaw Leeds, Auckland, New Zealand; (42); 9866, 26th August; 75, 21st September.

Lever Bros., Limited, Balmain, New South Wales; (47); 9814, 8th August; 72, 7th September.

Lever Bros., Limited, Balmain, New South Wales; (47); 9877, 29th August; 72, 7th September.

Lever Bros., Limited, Balmain, New South Wales; (48); 9878, 29th August; 75, 21st September.

Lister and Co., Limited, Bradford, England; (30); 9754, 9755, 4th July; 58, 13th July.

Lovell Manufacturing Company, Erie, United States America; (6); 9917, 14th September.

Macarthur, L. W. A., Auckland, New Zealand; (3); 9881, 30th August; 72, 7th September.

Mackerras and Hazlett, Limited, Dunedin, New Zealand; (42); 9851, 19th August.

APPLICANTS FOR REGISTRATION OF TRADE MARKS—*contd.*

Mackerras and Hazlett, Limited, Dunedin, New Zealand; (42); 9873, 28th August; 72, 7th September.

Marshall's Proprietary Company, Limited, Dunedin, New Zealand; (50); 9867, 26th August.

Martin, W. J., Martinborough, New Zealand; (4); 9846, 17th August; 69, 24th August.

"Max" Milking Machine Company, Limited, Copenhagen, Denmark; (7); 9882, 30th August; 75, 21st September.

Meadows, F. N. R., Wellington, New Zealand; (42); 9899, 7th September; 75, 21st September.

Meredith Bros. Company; Aratapu, New Zealand; (42); 9843, 9844, 17th August; 91, 16th November.

Messana, W., and another, "Messana and Co.," Hamilton, New Zealand; (48); 9850, 19th August.

Messana and Co. (see J. C. Datson and W. Messana).

Mono Service Vessels, Limited, London, England; (39); 9910, 12th September; 75, 21st September.

Morrin, T. and S., Limited, Auckland, New Zealand; (7); 9892, 2nd September.

Munn, D. H., Te Aute, New Zealand; (3); 9944, 29th September; 99, 1st December.

Murray's Limited, Invercargill, New Zealand; (42); 9823, 14th August; 75, 21st September.

Nathan, J., and Co., Limited, Wellington, New Zealand; (42); 9849, 18th August.

National Musical String Company, New Brunswick, United States America; (9); 9226, 9th December, 1910; 72, 7th September.

McNish, M. H., Dunedin, New Zealand; (3); 9933, 26th September.

Neal and Close, Limited, Napier, New Zealand; (42); 9821, 11th August.

Neal and Close, Limited, Napier, New Zealand; (42); 9822, 11th August; 72, 7th September.

Neich, G., Carterton, New Zealand; (2); 9778, 17th July; 72, 7th September.

Neil, J., Limited, Dunedin, New Zealand; (44), (42), (43); 9938, 9939, 9940, 27th September.

New Zealand Farmers' Co-operative Association of Canterbury, Limited, Christchurch, New Zealand; (2); 9901, 9th September.

New Zealand Farmers' Co-operative Association of Canterbury, Limited, Christchurch, New Zealand; (7); 9902, 9th September.

New Zealand Farmers' Co-operative Association of Canterbury, Limited, Christchurch, New Zealand; (38); 9903, 9th September.

New Zealand Farmers' Co-operative Association of Canterbury, Limited, Christchurch, New Zealand; (50); 9904, 9th September.

Norton, J. T., and Co., Lyttelton, New Zealand; (42); 9801, 29th July.

Nutricia Milk Company, Limited (of Wellington), Wellington, New Zealand; (42); 9937, 27th September.

Oakland Motor-car Company, Pontiac, United States America; (22); 9890, 31st August.

Office Appliance Company, Wellington, New Zealand; (39); 9883, 30th August; 75, 21st September.

Ordway, A. P., and Co., New York, United States America; (3); 9494, 22nd March; 69, 24th August.

Pacific Mills, Boston, United States America; (24); 9817, 9th August; 72, 7th September.

Pacific Mills, Boston, United States America; (24); 9926, 19th September.

Papier Poudré, Limited, London, England; (48); 9775, 13th July; 62, 27th July.

Parker, A. J., Auckland, New Zealand; (48); 9809, 8th August; 69, 24th August.

Parker, A. J., Auckland, New Zealand; (4); 9863, 25th August.

Paterson, J., Auckland, New Zealand; (3); 9874, 28th August.

Peberdy, W., and another, Auckland, New Zealand; (50); 9751, 4th July; 62, 27th July.

Pegler, E. S., "Auckland Camera Company," Auckland, New Zealand; (1); 9841, 17th August; 75, 21st September.

Printing Machinery Company, Limited, London, England; (6); 9837, 15th August.

Radium Polishes, Limited, Martinborough, New Zealand; (50); 9789, 24th July; 65, 10th August.

Rainie, C. F., Inaha, New Zealand; (42); 9803, 29th July; 69, 24th August.

Reddaway, F., and Co., Limited, Manchester, England; (25); 9353, 1st February; 75, 21st September.

APPLICANTS FOR REGISTRATION OF TRADE MARKS—*contd.*

Remington Arms-Union Metallic Cartridge Company (see M. H. Dodge).

Roberts, J. D., Auckland, New Zealand; (8); 9871, 28th August; 75, 21st September.

Royal Oak Timber Company, Limited, Auckland, New Zealand; (50); 9932, 23rd September; 91, 16th November.

Sargood, Son, and Ewen, Limited, Dunedin and elsewhere, New Zealand; (38); 9864, 9865, 25th August; 72, 7th September.

Saxone Shoe Company, Limited, Kilmarnock, Scotland; (38); 9383, 9384, 17th February; 65, 10th August.

Scheja, J., Stockholm, Sweden; (17); 9934, 27th September.

Simple, W., Wellington, New Zealand; (2); 9922, 18th September.

Skinner, E. K., New Plymouth, New Zealand; (2); 9907, 11th September; 75, 21st September.

Spicer, J., and Sons, Limited, London, England; (39); 9763, 11th July; 62, 27th July.

Spicer, J., and Sons, Limited, London, England; (39); 9819, 9th August.

Standard Oil Company of New York, New York, United States of America; (47); 9941, 28th September.

Star Tea Company, Wellington, New Zealand; (42); 9854, 9855, 23rd August.

Sullivan, D., Helensville, New Zealand; (3); 9897, 7th September.

Symington, W., and Co., Limited, Market Harborough, England; (42); 9752, 4th July; 58, 13th July.

Teed, D., Auckland, New Zealand; (42); 9927, 20th September.

Theinhardtts, Dr., Nahrungsmittel, Gesellschaft m.b.H., Stuttgart-Cannstatt, Germany; (42); 9839, 9840, 16th August.

Tillie and Henderson, Limited, Glasgow, Scotland, London, England, and Londonderry, Ireland; (38); 9915, 14th September.

Toomer, A. F., Christchurch, New Zealand; (38); 9876, 29th August; 72, 7th September.

Tucker, W. F., and Co., Auckland, New Zealand; (42); 9800, 29th July; 69, 24th August.

Turner and Co., Wanganui, New Zealand; (22); 9872, 28th August; 72, 7th September.

Tyneside Proprietary, Limited, Wellington, New Zealand; (16); 9856, 23rd August; 72, 7th September.

Vacuum Oil Company Proprietary, Limited, Melbourne, Victoria, and elsewhere; (4); 9857, 23rd August.

Van Houten, C. J., and Zoon, Weesp, Holland; (42); 9914, 12th September; 75, 21st September.

Walker, J. M., and Co., Limited, Manchester, England; (38); 8870, 12th July, 1910; 62, 27th July.

Wall, O. S. H., "Indianola Proprietary Company," Gisborne, New Zealand; (3); 9810, 8th August; 72, 7th September.

Wall-paper Manufacturers, Limited, Darwen, England; (1); 9913, 12th September; 91, 16th November.

Wallace, Scott, and Co., Limited, Glasgow, Scotland; (34); 9862, 25th August; 72, 7th September.

Wallace, Scott, and Co., Limited, Glasgow, Scotland; (34); 9465, 14th March; 72, 7th September.

Wallace, Scott, and Co., Limited, Glasgow, Scotland; (34); 9470, 14th March; 72, 7th September.

Wallace, Scott, and Co., Limited, Glasgow, Scotland; (34); 9467, 14th March; 75, 21st September.

Waterman, L. E., Company, New York, United States America; (39); 9833, 15th August; 72, 7th September.

Watson Bros., Limited, Palmerston North, New Zealand; (42); 9780, 18th July; 65, 10th August.

Watson Bros., Limited, Palmerston North, New Zealand; (47); 9905, 11th September.

Whitlock, F., and Sons, Wanganui, New Zealand; (42); 9750, 3rd July; 65, 10th August.

Whittome, Stevenson, and Co., Limited, Auckland, New Zealand; (50); 9777, 17th July; 69, 24th August.

Wilson, A., Glasgow, Scotland; (2); 9762, 11th July; 62, 27th July.

Wood, E. J., Wednesfield, England; (6); 9916, 14th September.

Woodward, W., Limited, Nottingham, England; (3); 9894, 4th September.

Wright, A. H., Dunedin, New Zealand; (6); 9212, 6th December, 1910; 62, 27th July.

Yale and Towne Manufacturing Company, Stamford, United States America; (13); 9786, 20th July.

APPLICANTS FOR REGISTRATION OF TRADE MARKS—*contd.*

Young, H. L., "Householders' Co-operative Supply,"
Dunedin, New Zealand; (42); 9885, 31st August; 72,
7th September.

Zymole Company (Inc.), New York, United States
America; (3); 9886, 31st August.

Zymole Company (Inc.), New York, United States
America; (48); 9887, 31st August; 72, 7th September.

APPLICANTS FOR REGISTRATION OF DESIGNS—*continued.*

Cookson, J. A. B., Christchurch, New Zealand; (4); 558,
16th May; 46, 1st June.

Hutton, J. C., Proprietary, Limited, Melbourne, Vic-
toria; (1); 564, 12th September; 79, 5th October.

Parkinson, A., Auckland, New Zealand; (3); 559, 26th
May; 50, 15th June.

Alphabetical List of Applicants for Registration of Designs.

ALPHABETICAL List of Applicants for registration
of Designs for the quarters ended 30th June, 1911,
and 30th September, 1911. The numbers in parentheses
are those of the classes, the next number and date are
those of the application, and the final number and date
those of the *Gazette*.

Collins, G. E., Napier, New Zealand; (3); 563, 25th
August; 72, 7th September.

Scott Bros., Limited, Christchurch, New Zealand; (1);
562, 12th August; 72, 7th September.

Stewart Timber, Glass, and Hardware Company, Limited,
Wellington, New Zealand; (1); 561, 28th June; 58, 13th
July.

Welch, Margetson, and Co., Limited, London, England;
(10); 560, 1st June; 50, 15th June.

By Authority: JOHN MACKAY, Government Printer, Wellington.